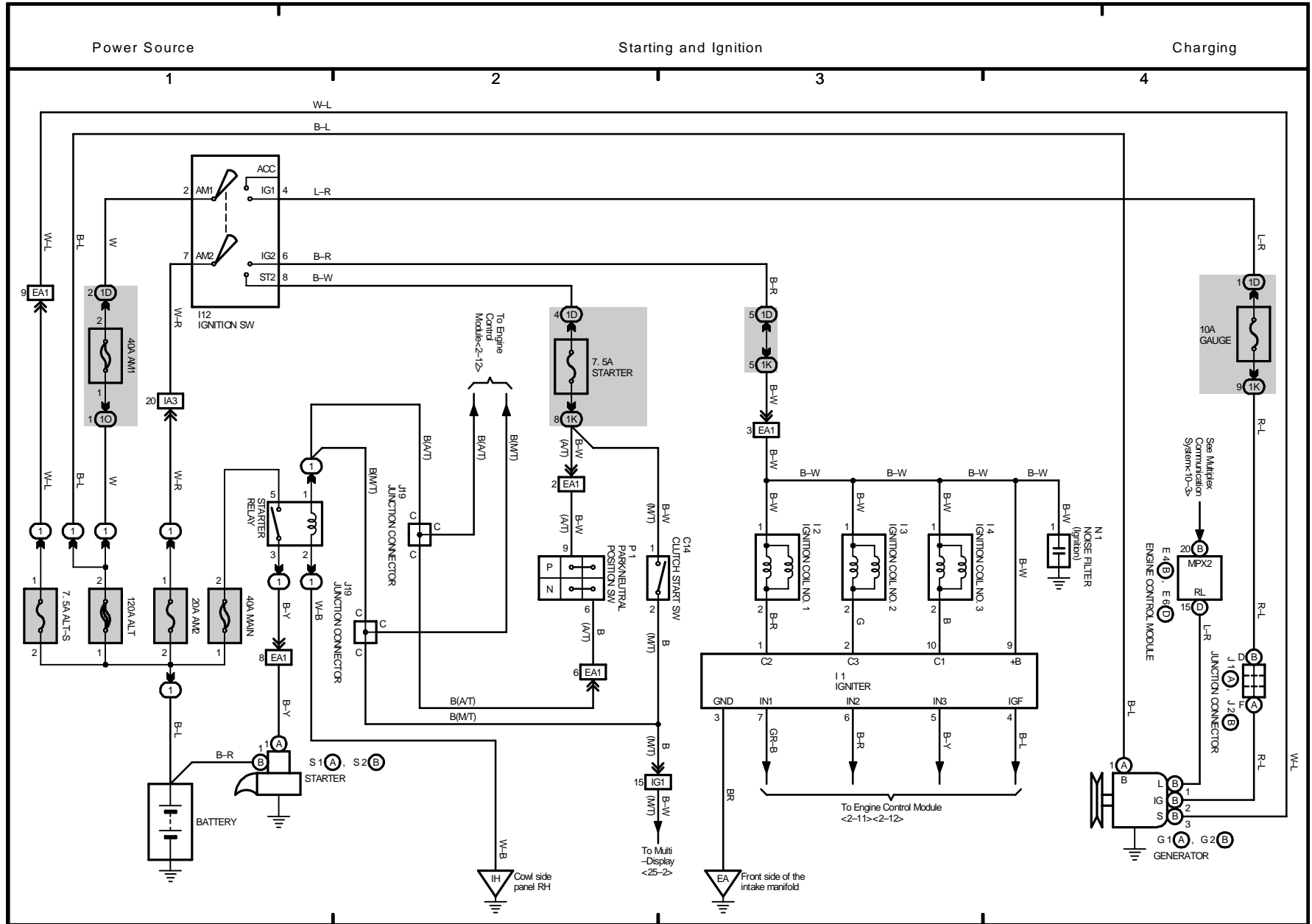


1 IS 300 ELECTRICAL WIRING DIAGRAM



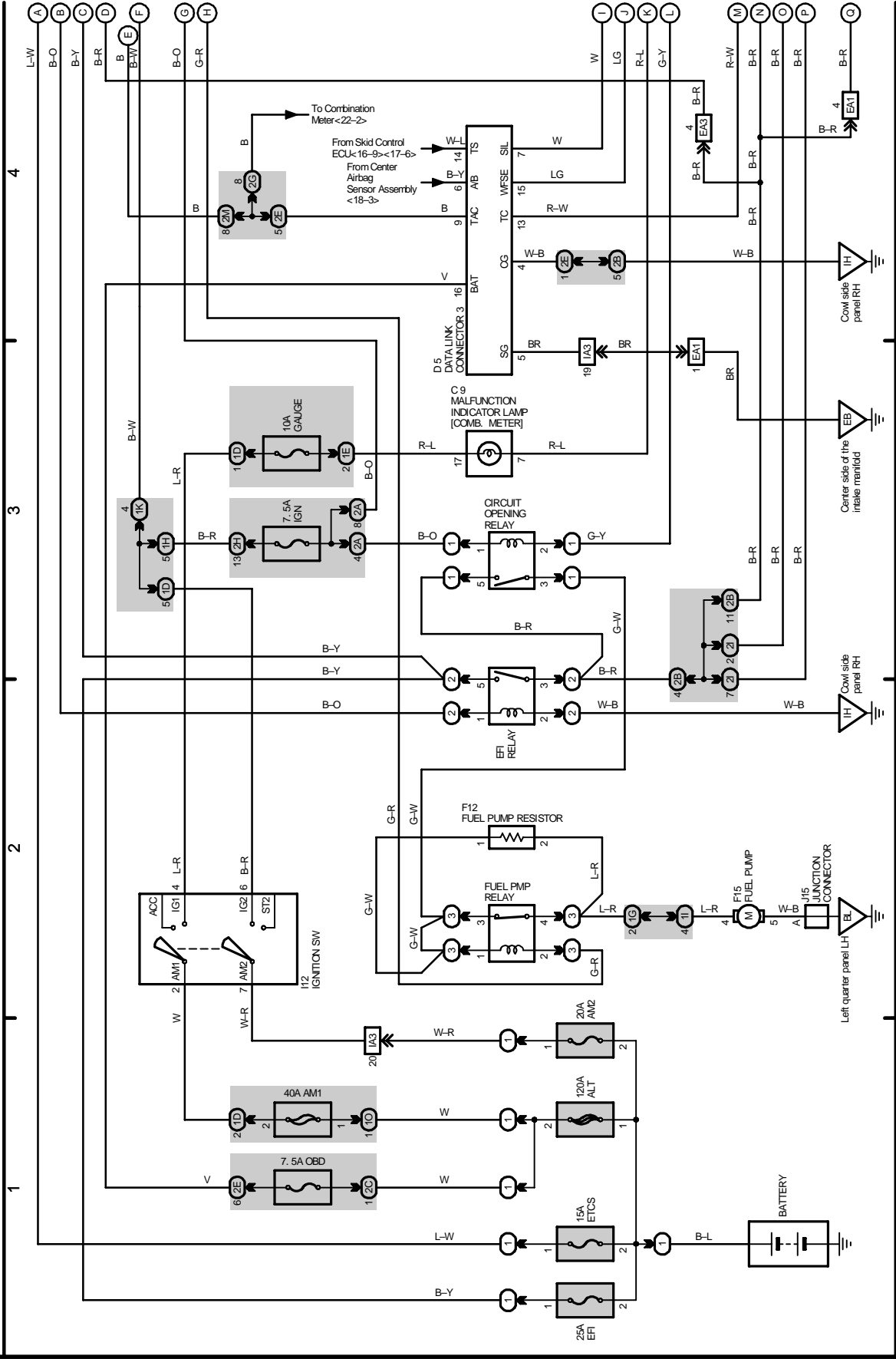
2002 LEXUS IS 300 (EWD451U)

# M OVERALL ELECTRICAL WIRING DIAGRAM

2 IS 300

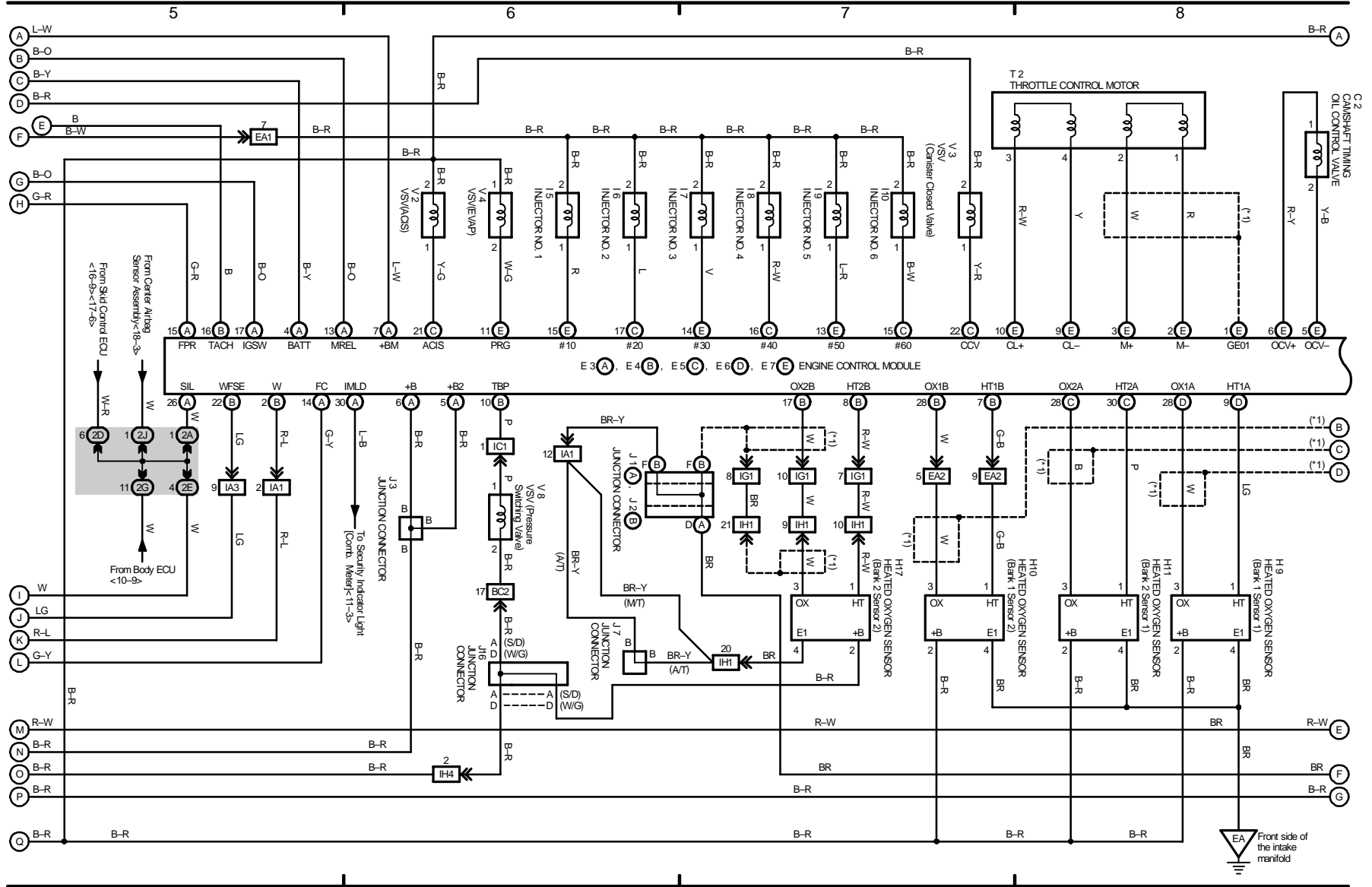
(Cont. next page)

## Engine Control and Engine Immobiliser System



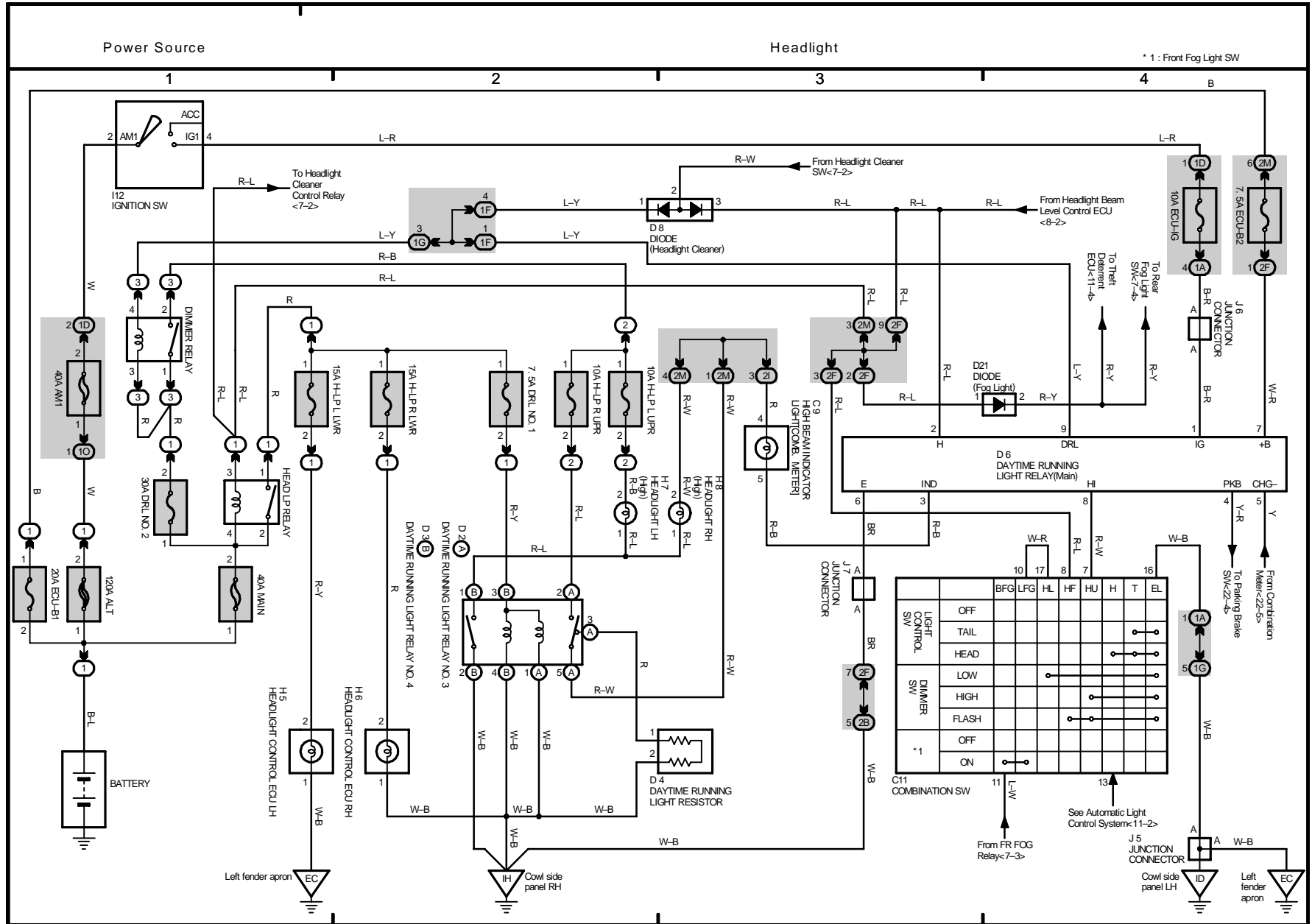
Engine Control and Engine Immobiliser System

\* 1 : Shielded



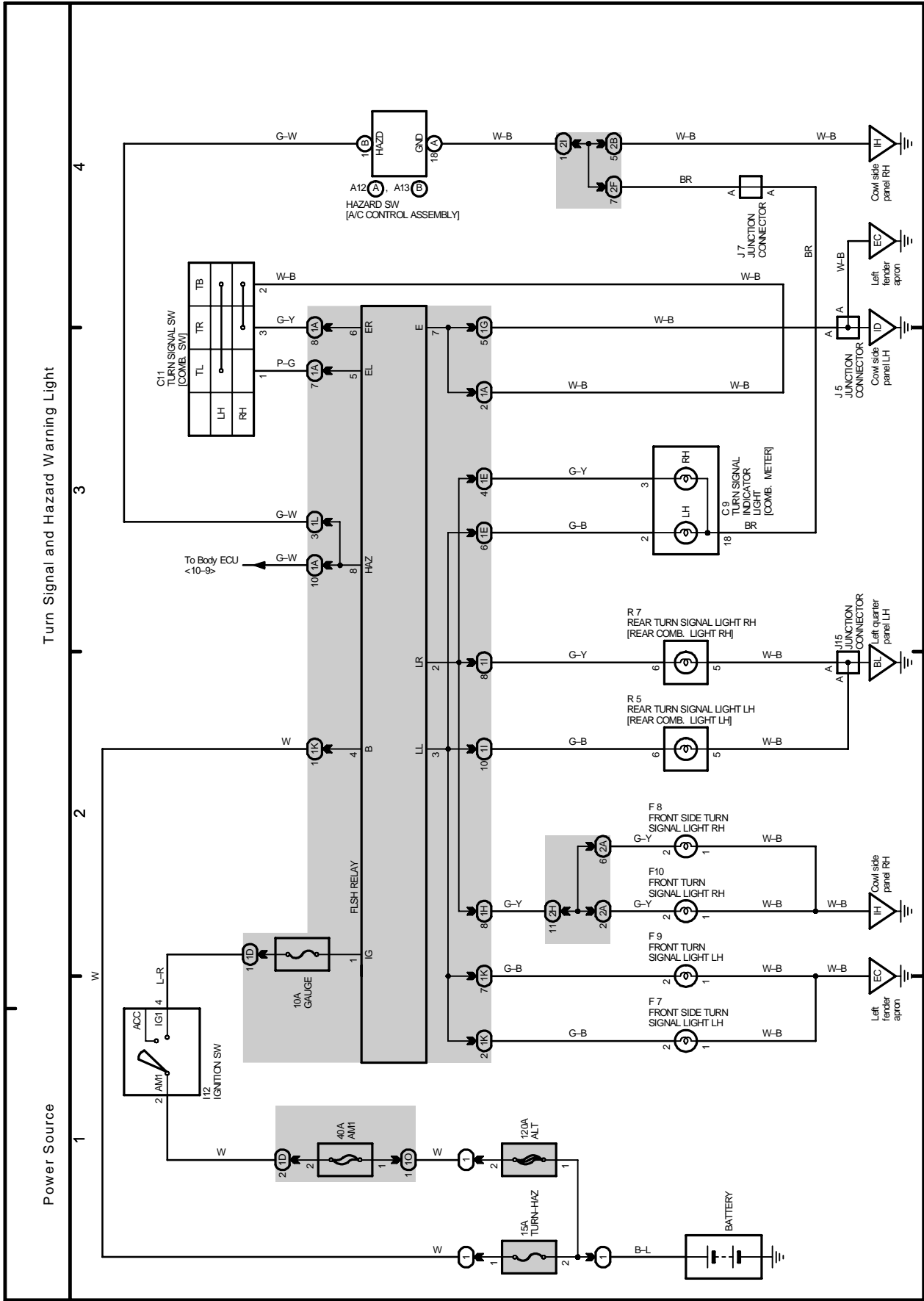
2002 LEXUS IS 300 (EWD451U)

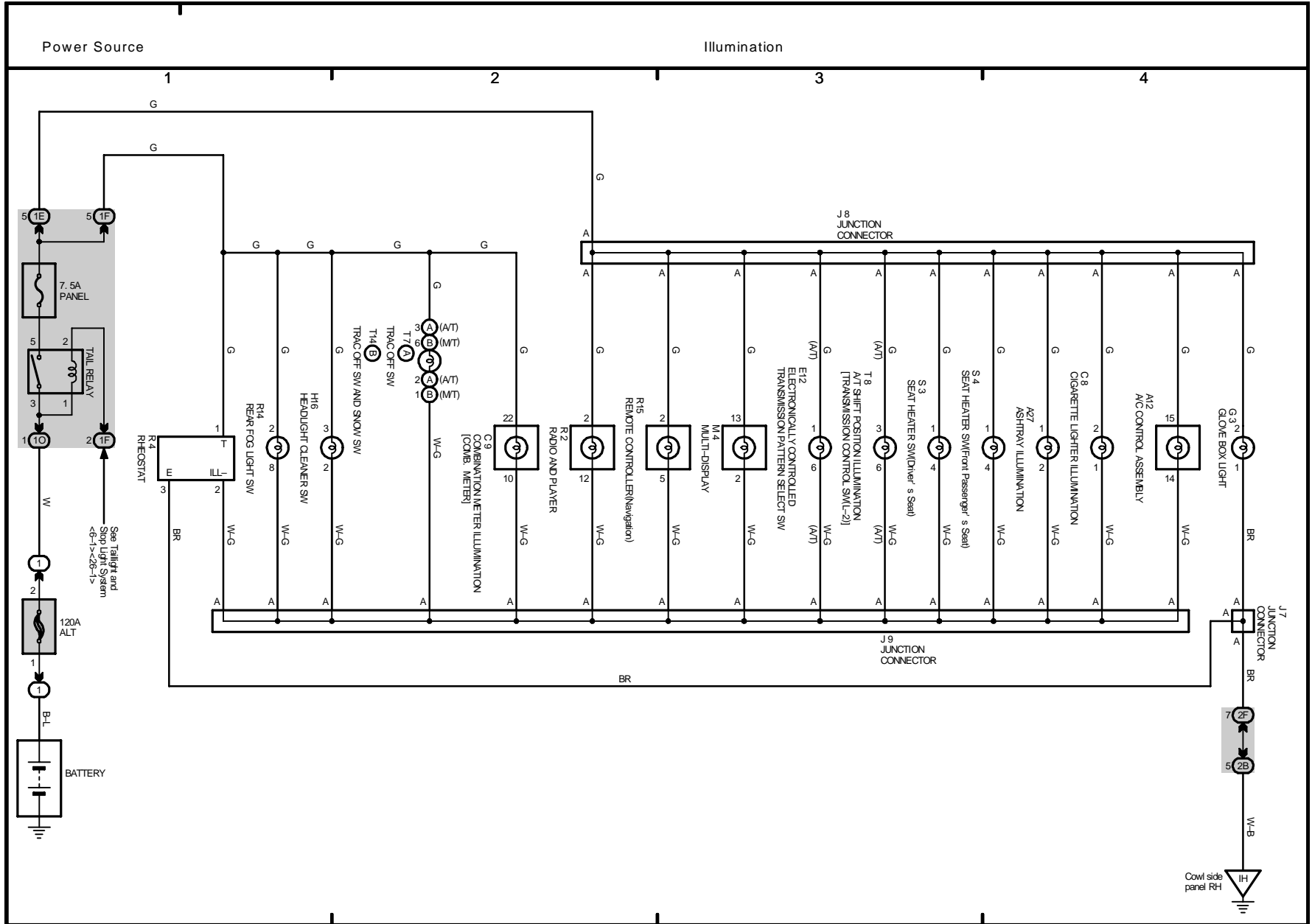




# M OVERALL ELECTRICAL WIRING DIAGRAM

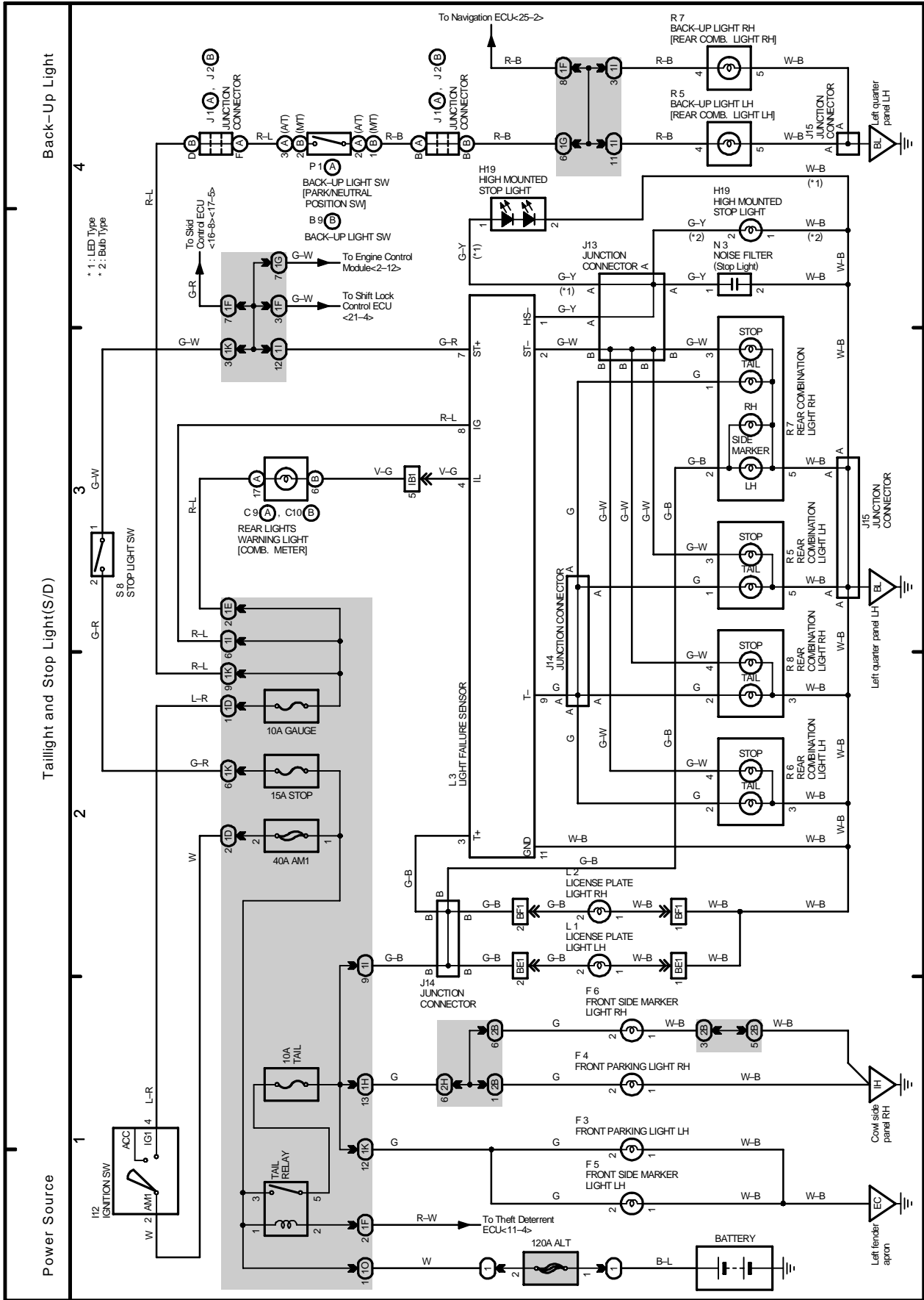
4 IS 300



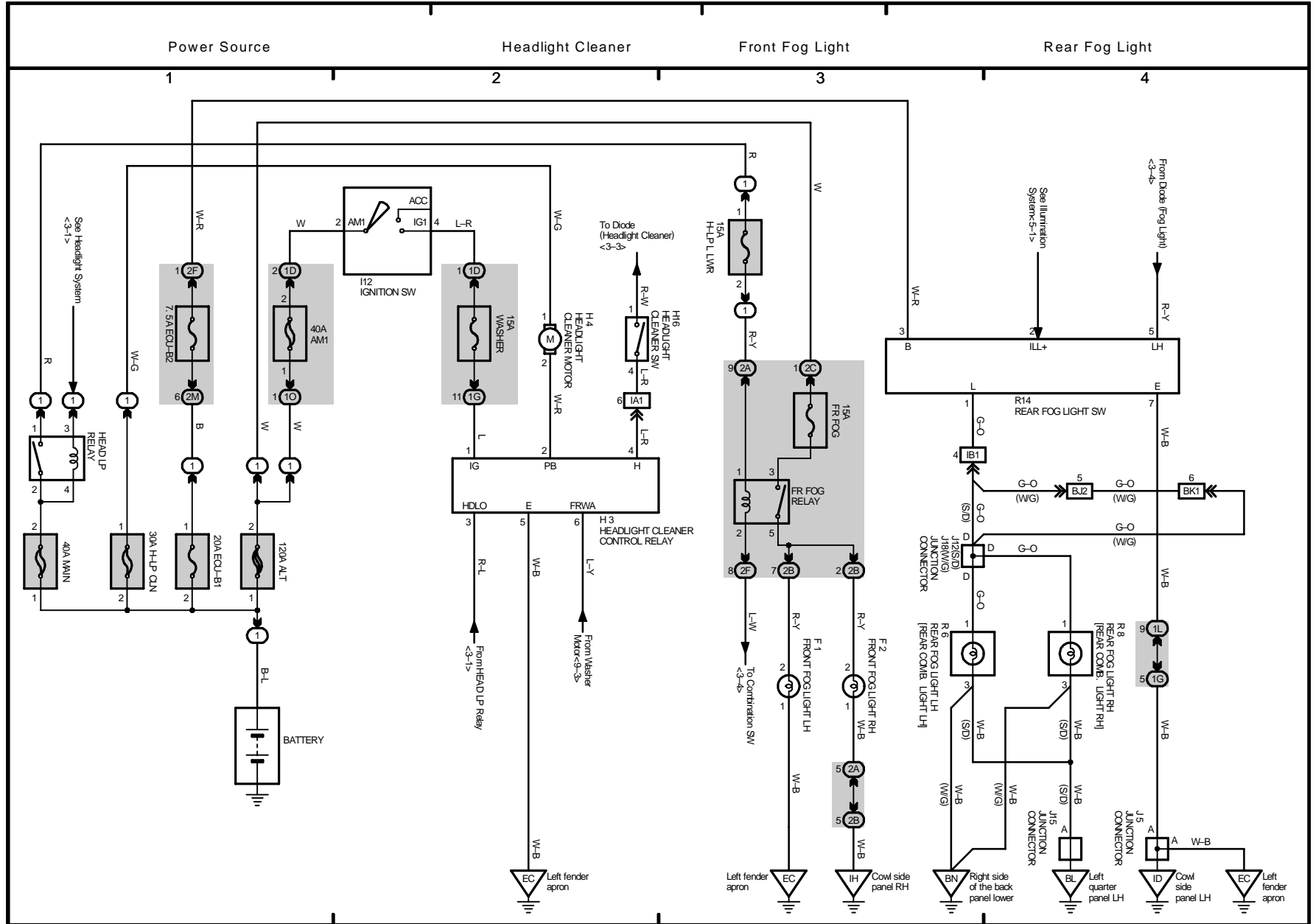


# M OVERALL ELECTRICAL WIRING DIAGRAM

6 IS 300

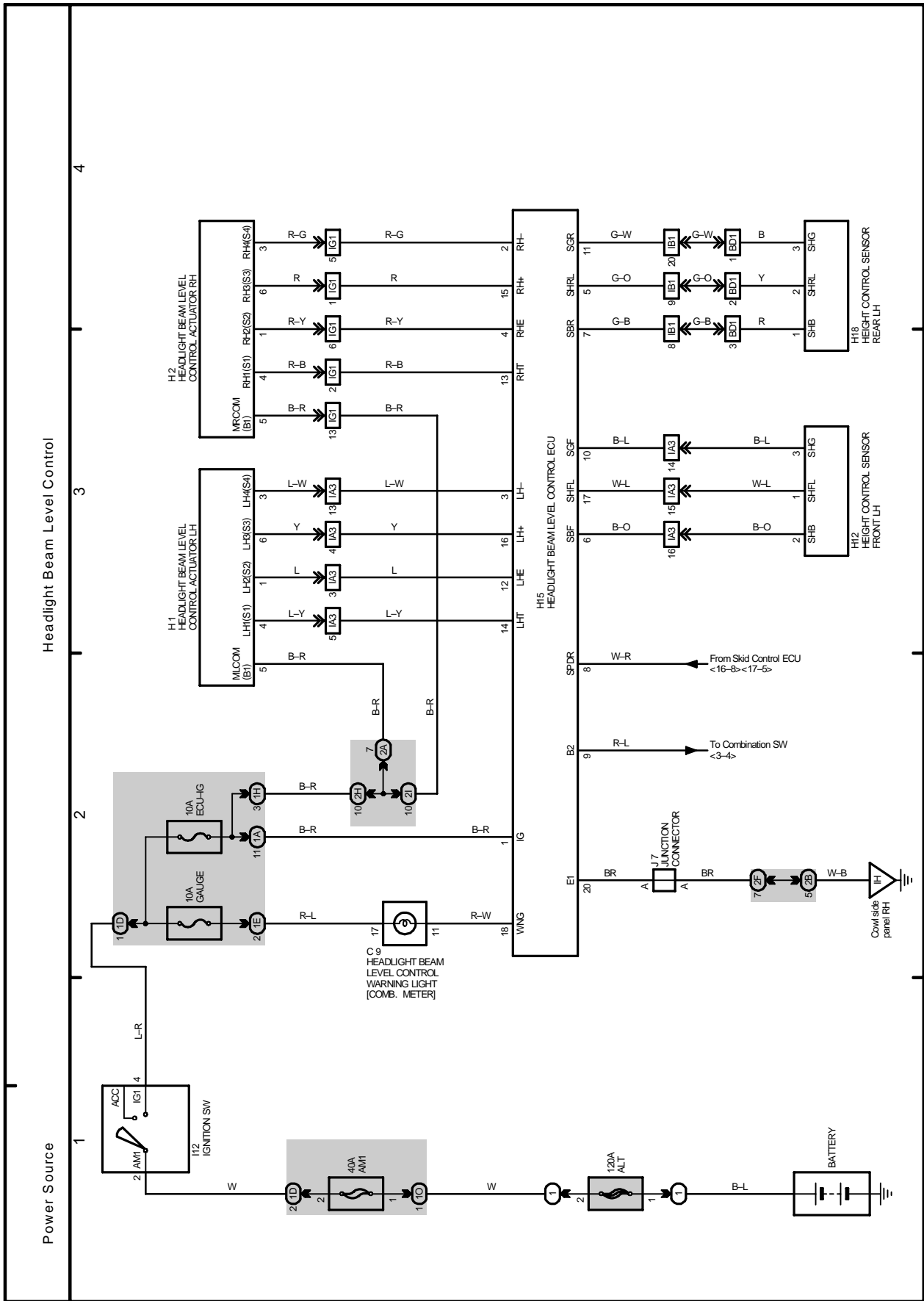






# M OVERALL ELECTRICAL WIRING DIAGRAM

8 IS 300





# M OVERALL ELECTRICAL WIRING DIAGRAM

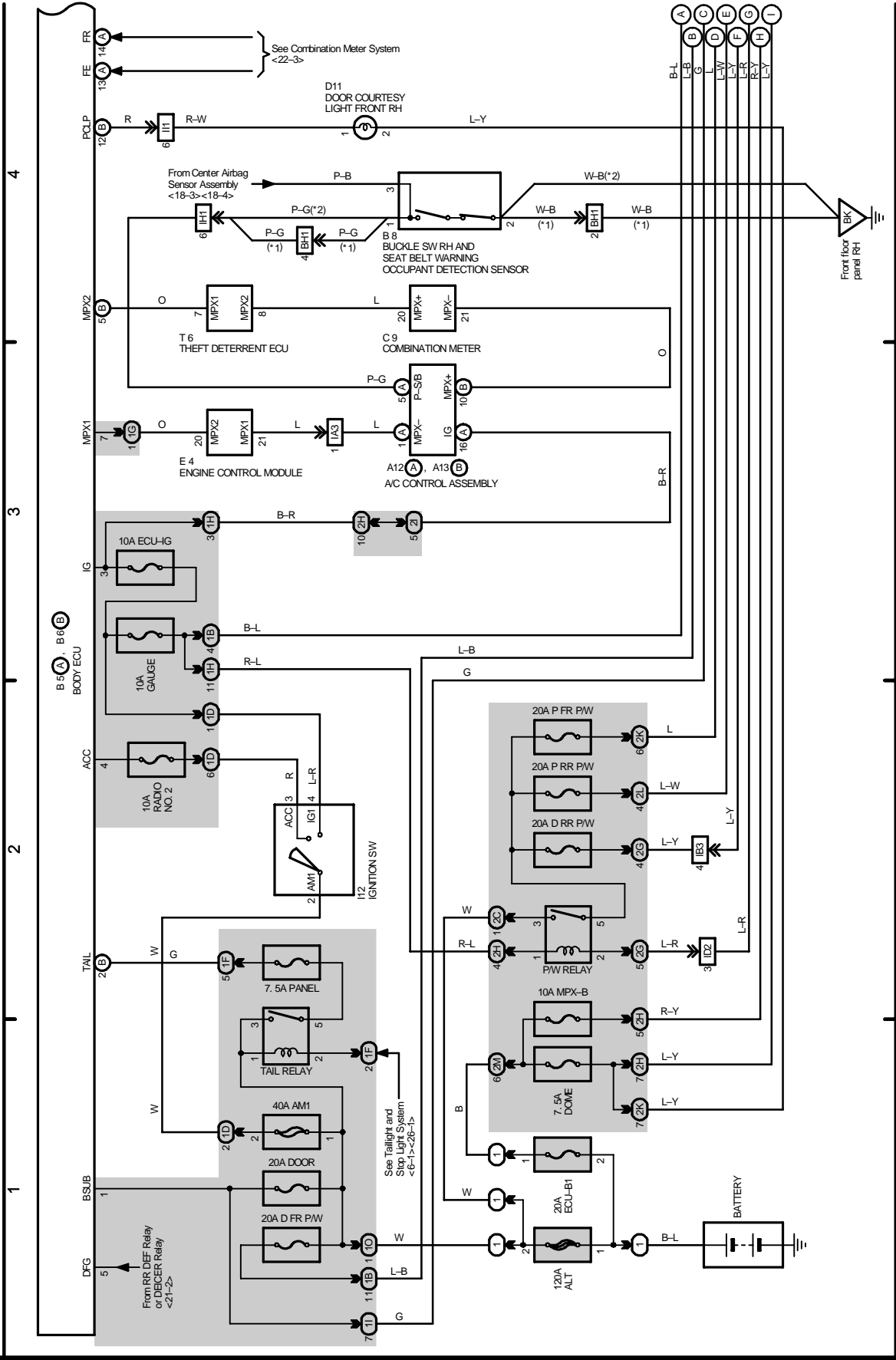
10 IS 300

(Cont. next page)

Multiplex Communication System

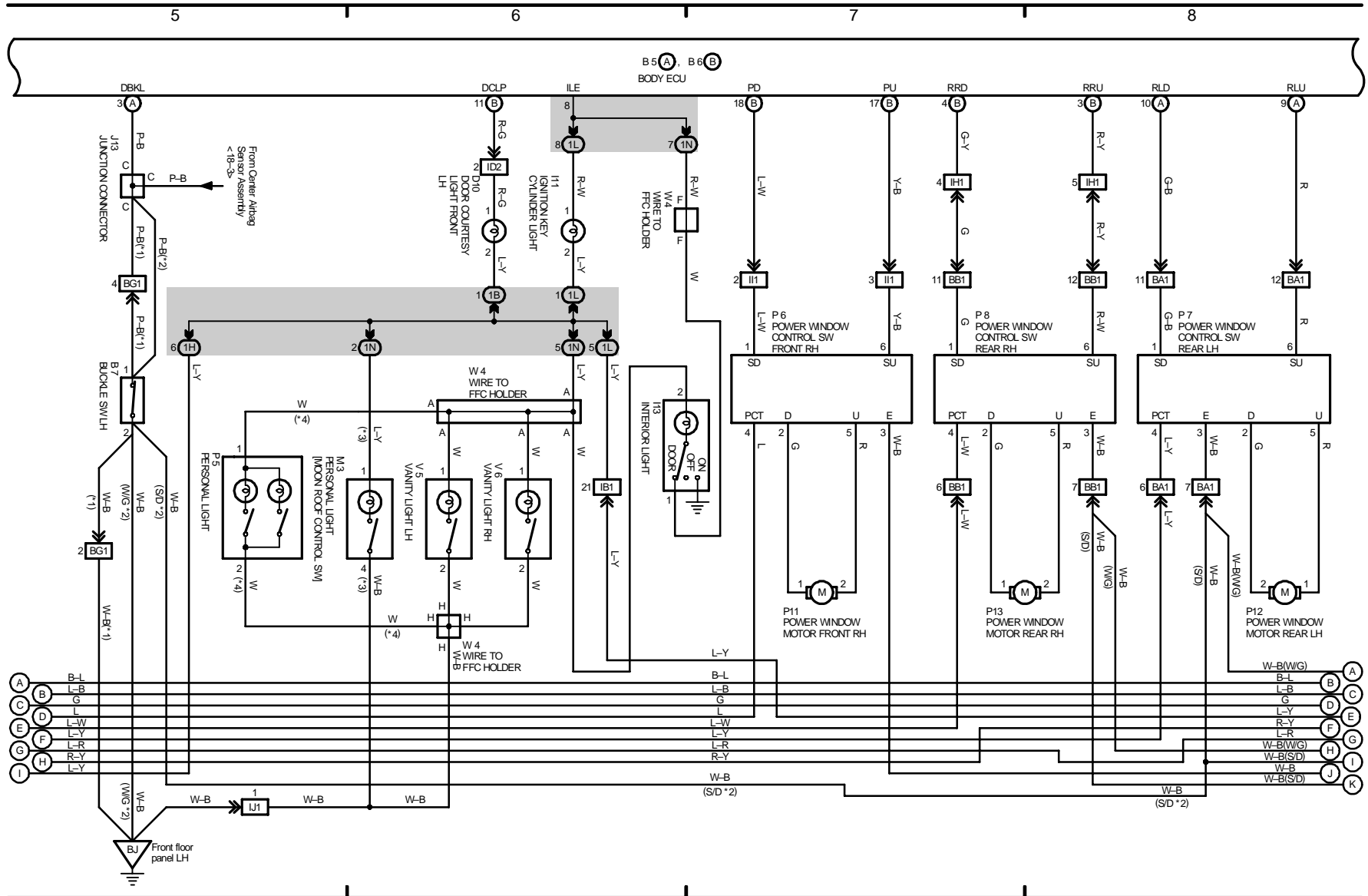
Power Source

\* 1 : w/ Power Seat  
\* 2 : w/o Power Seat



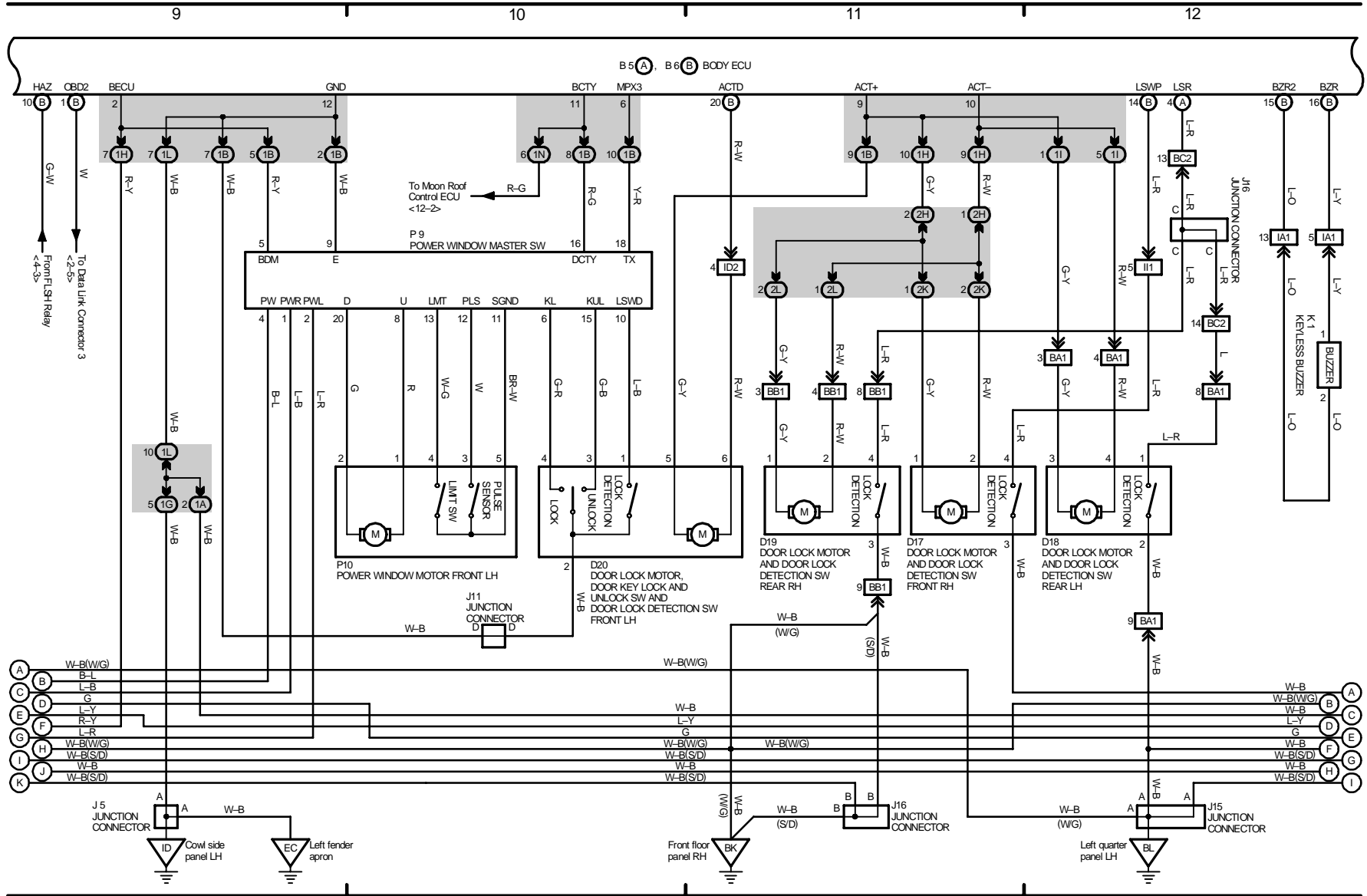
Multiplex Communication System

- \* 1 : w/ Power Seat
- \* 2 : w/o Power Seat
- \* 3 : w/ Moon Roof
- \* 4 : w/o Moon Roof



2002 LEXUS IS 300 (EWD451U)

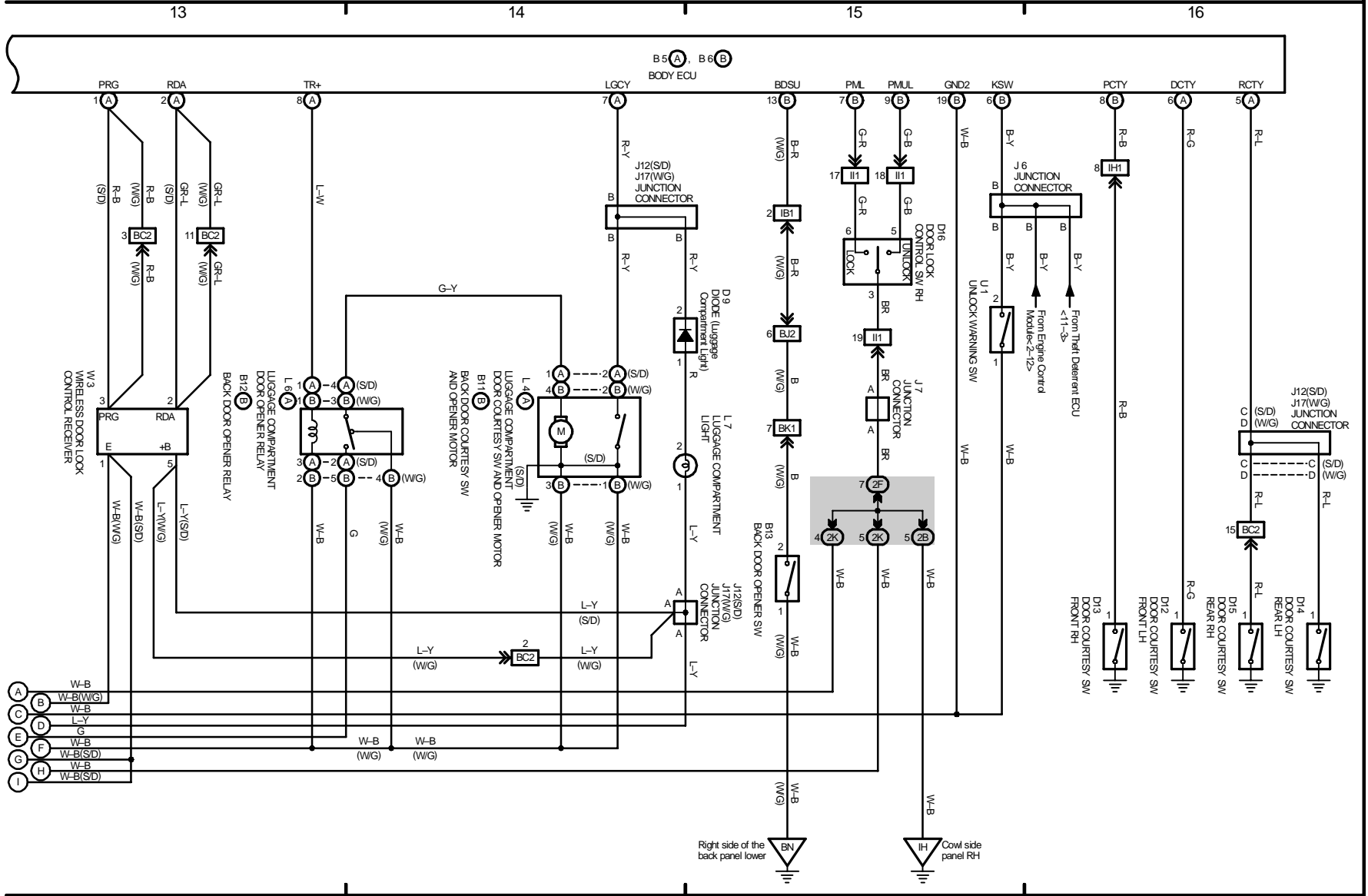
Multiplex Communication System



2002 LEXUS IS 300 (EWD451U)

M OVERALL ELECTRICAL WIRING DIAGRAM

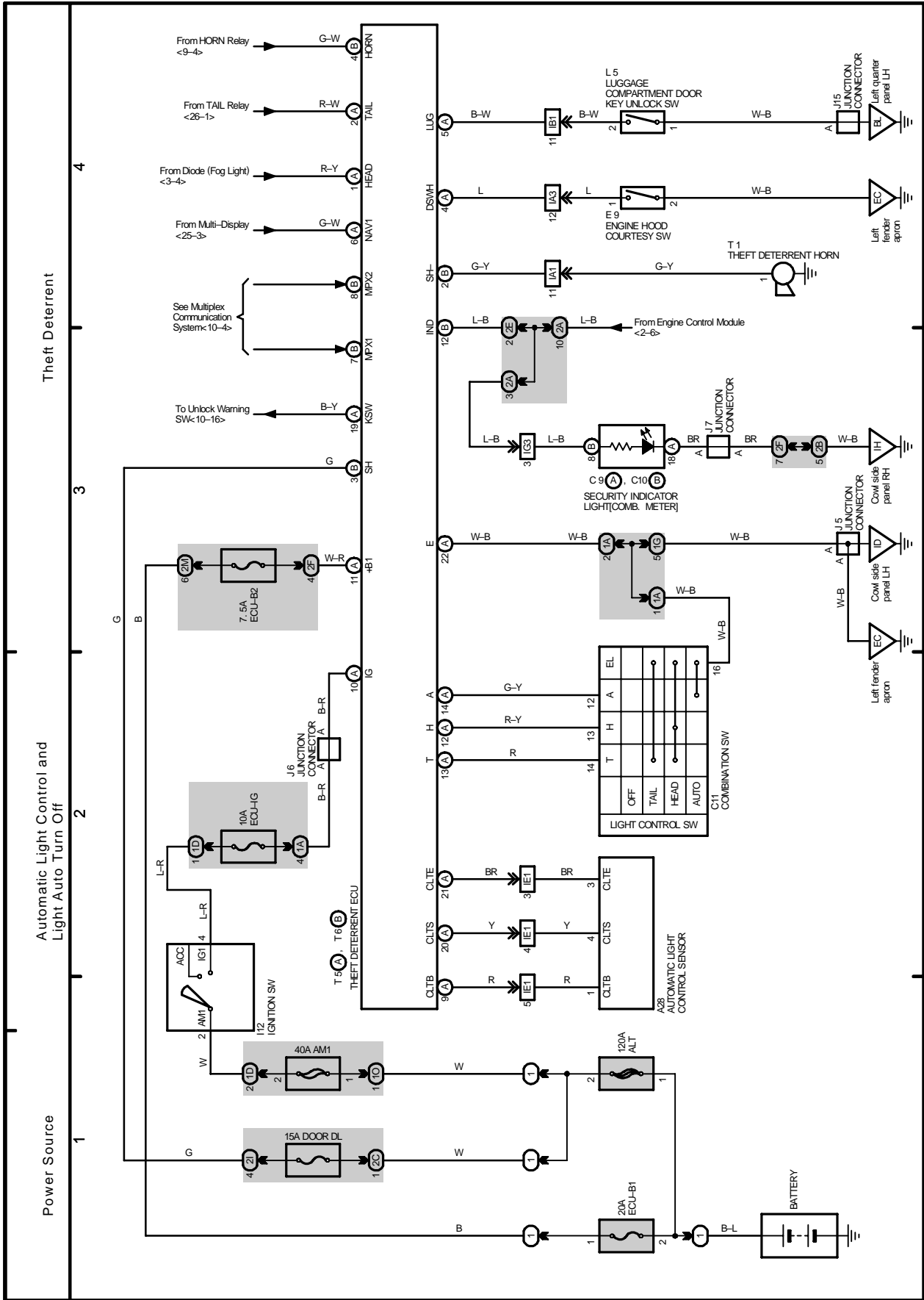
Multiplex Communication System



2002 LEXUS IS 300 (EWD451U)

# M OVERALL ELECTRICAL WIRING DIAGRAM

11 IS 300

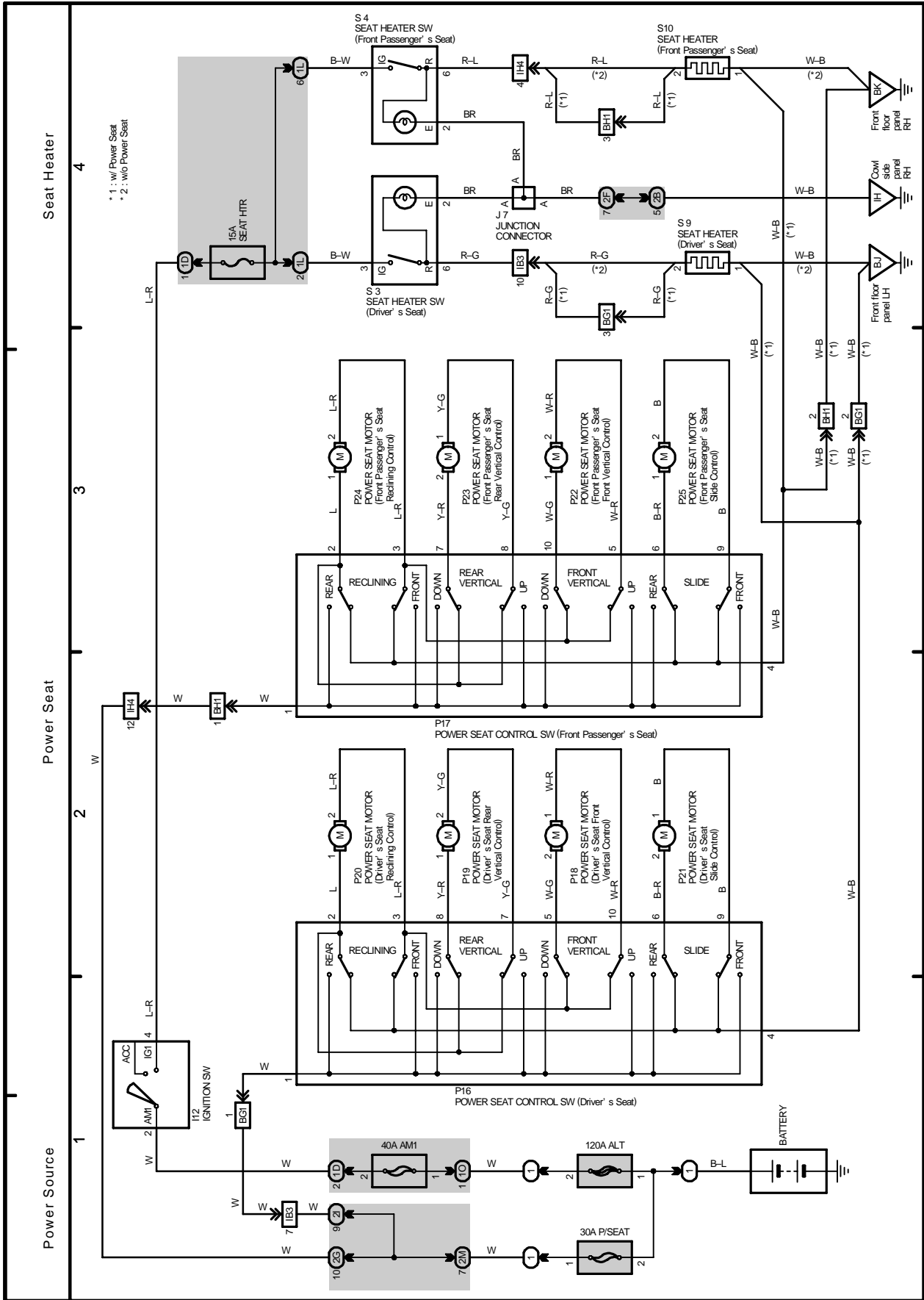






# M OVERALL ELECTRICAL WIRING DIAGRAM

13 IS 300



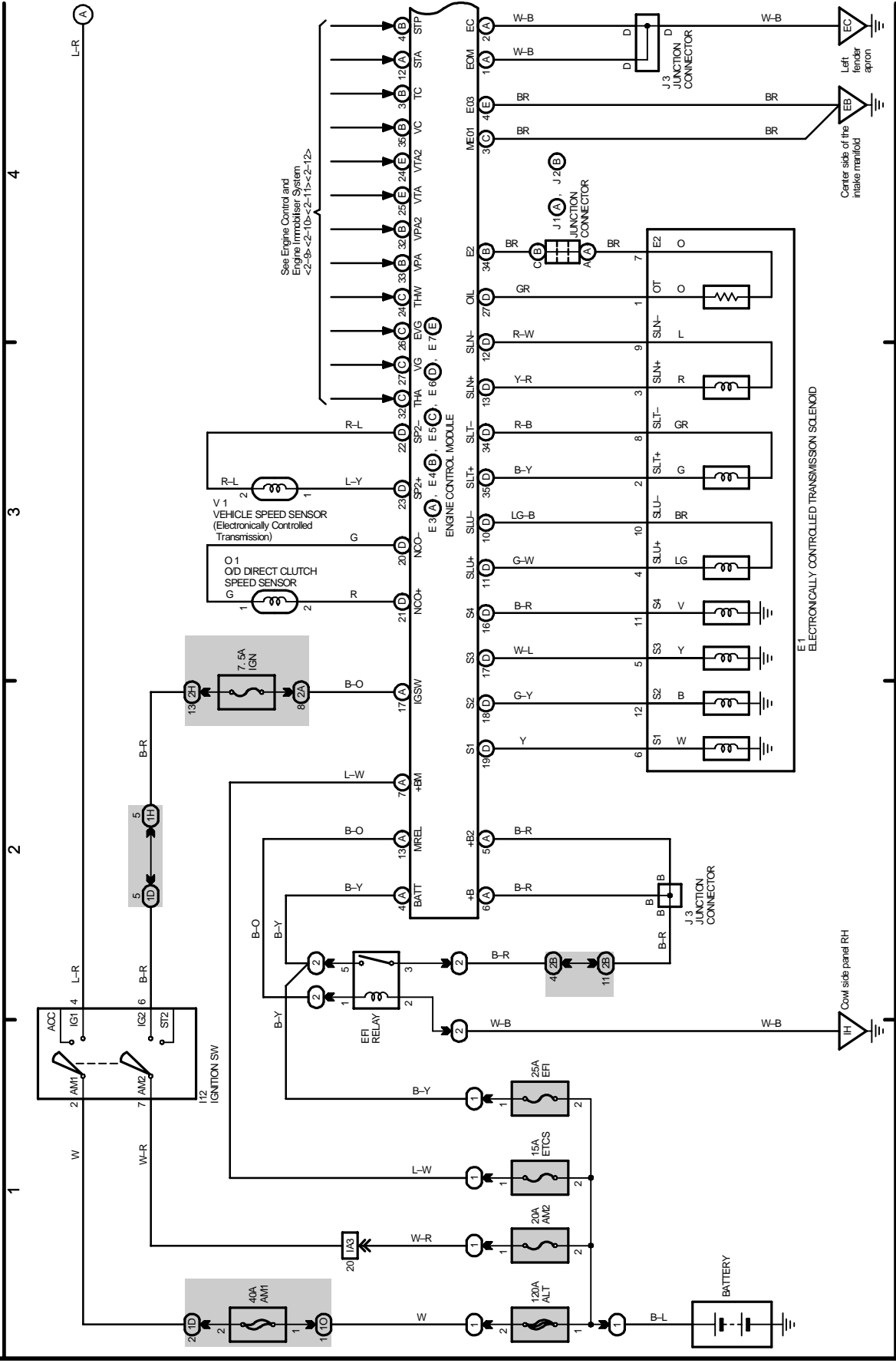


# M OVERALL ELECTRICAL WIRING DIAGRAM

(Cont. next page)

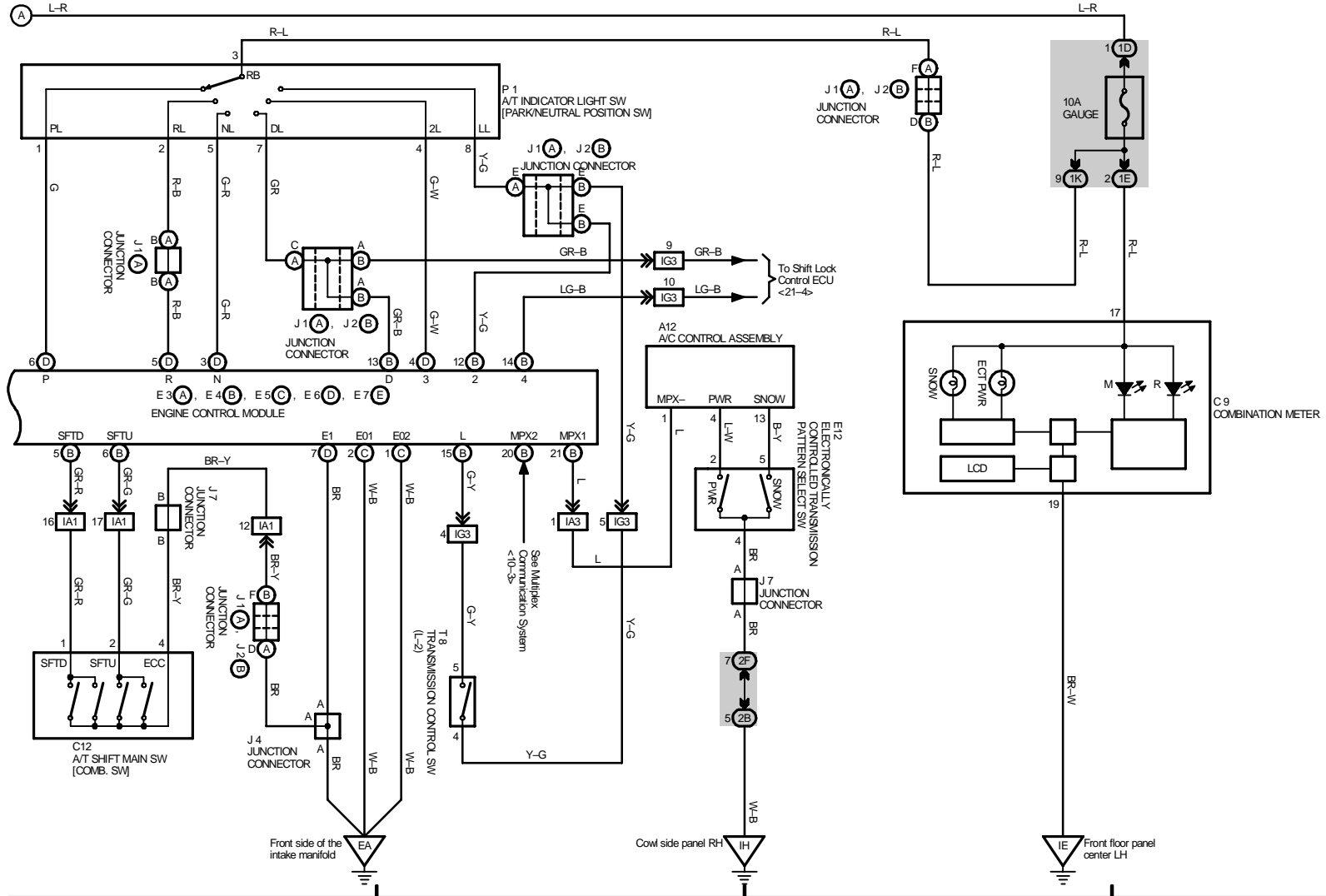
14 IS 300

### Electronically Controlled Transmission and A/T Indicator



Electronically Controlled Transmission and A/T Indicator

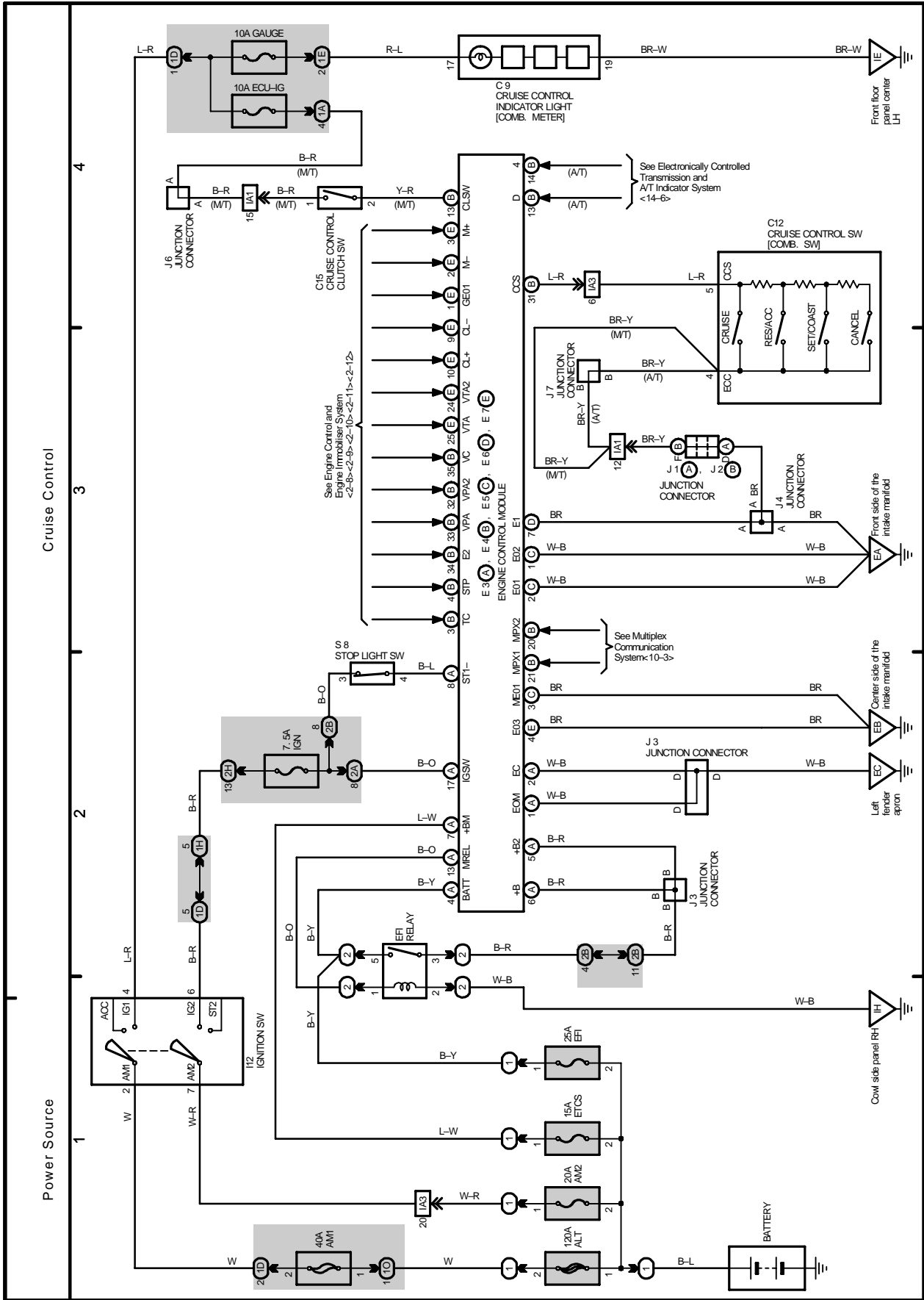
5 6 7 8



2002 LEXUS IS 300 (EWD451U)

# M OVERALL ELECTRICAL WIRING DIAGRAM

15 IS 300

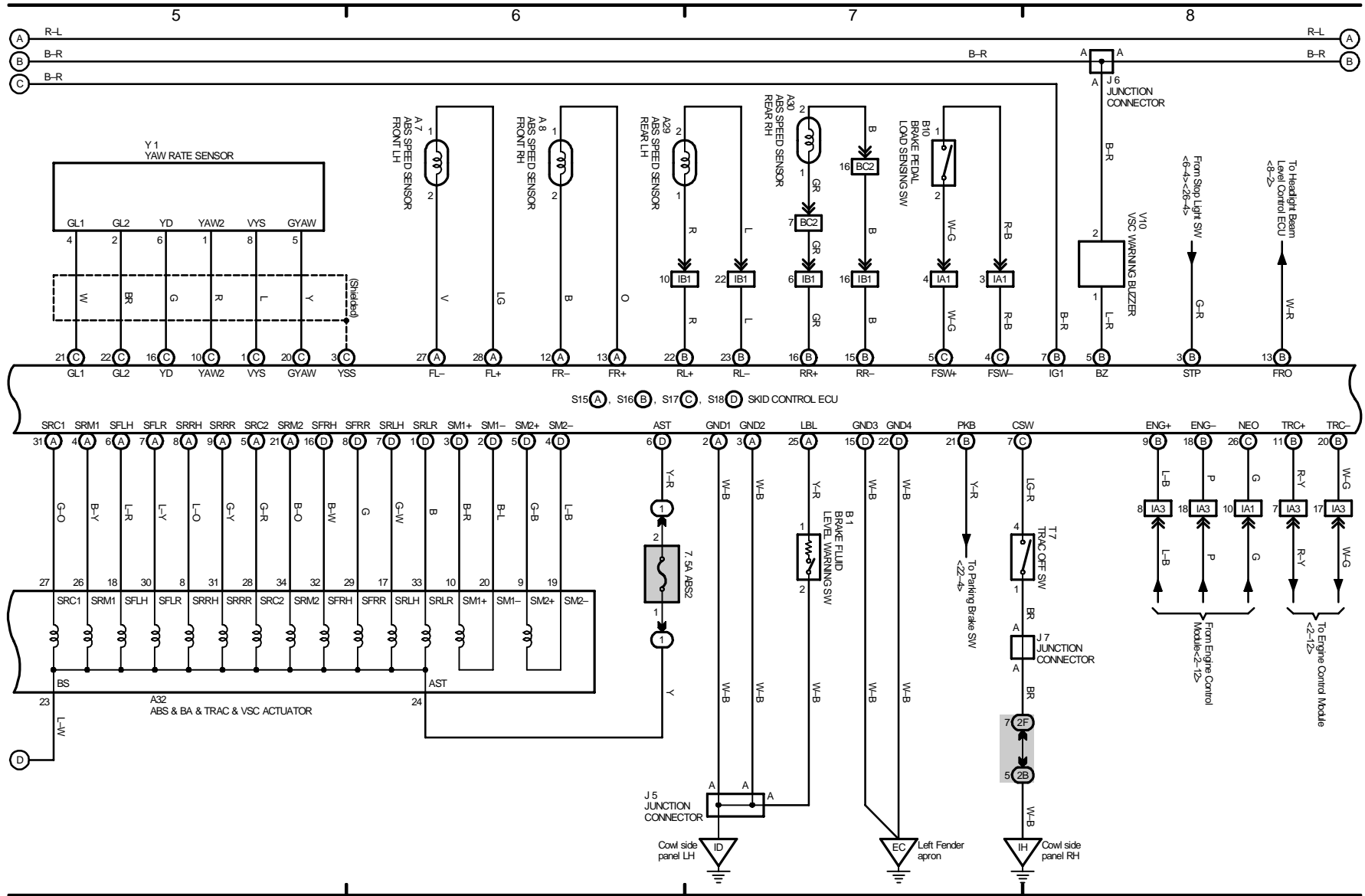








VSC

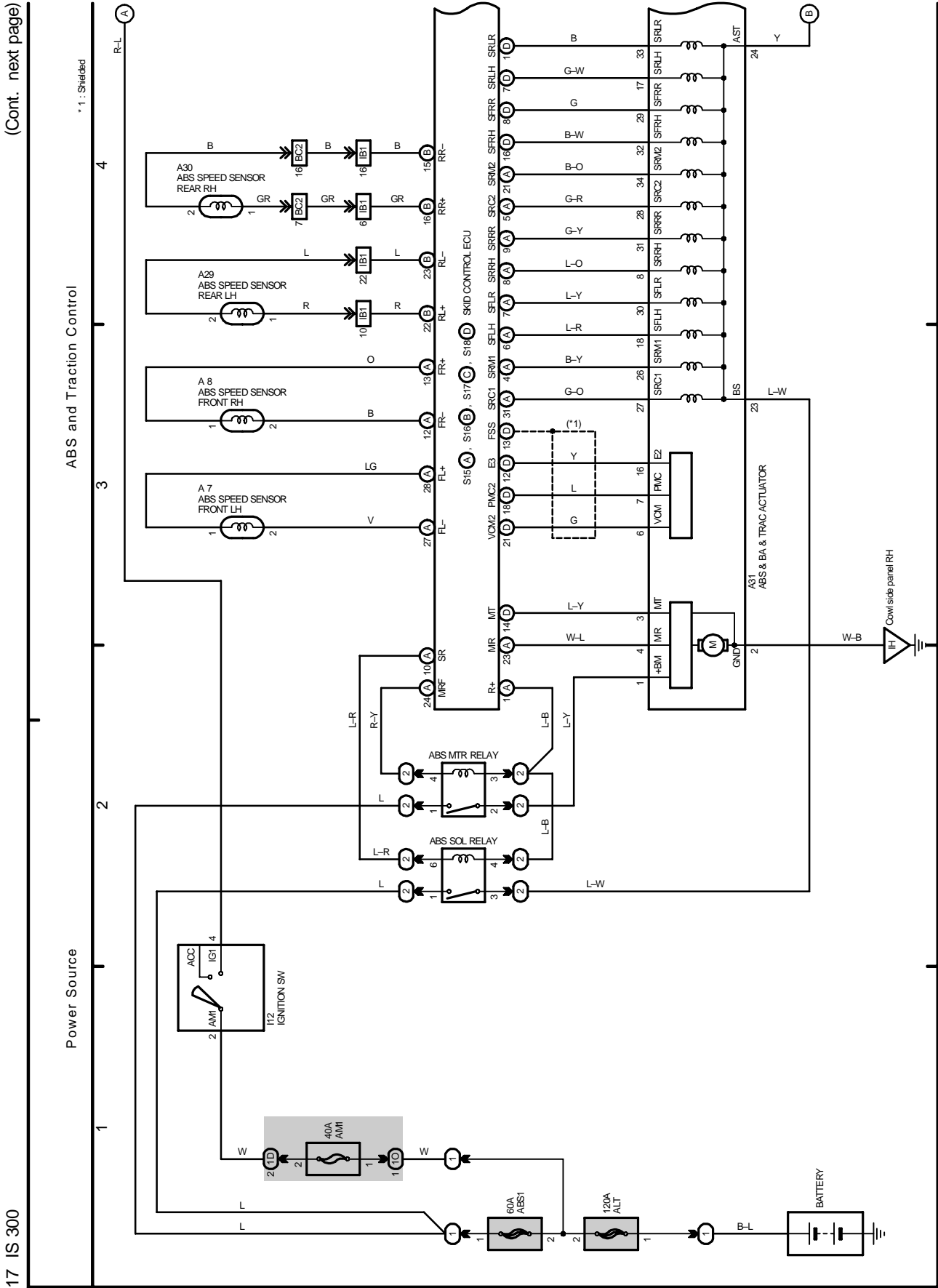


2002 LEXUS IS 300 (EWD451U)

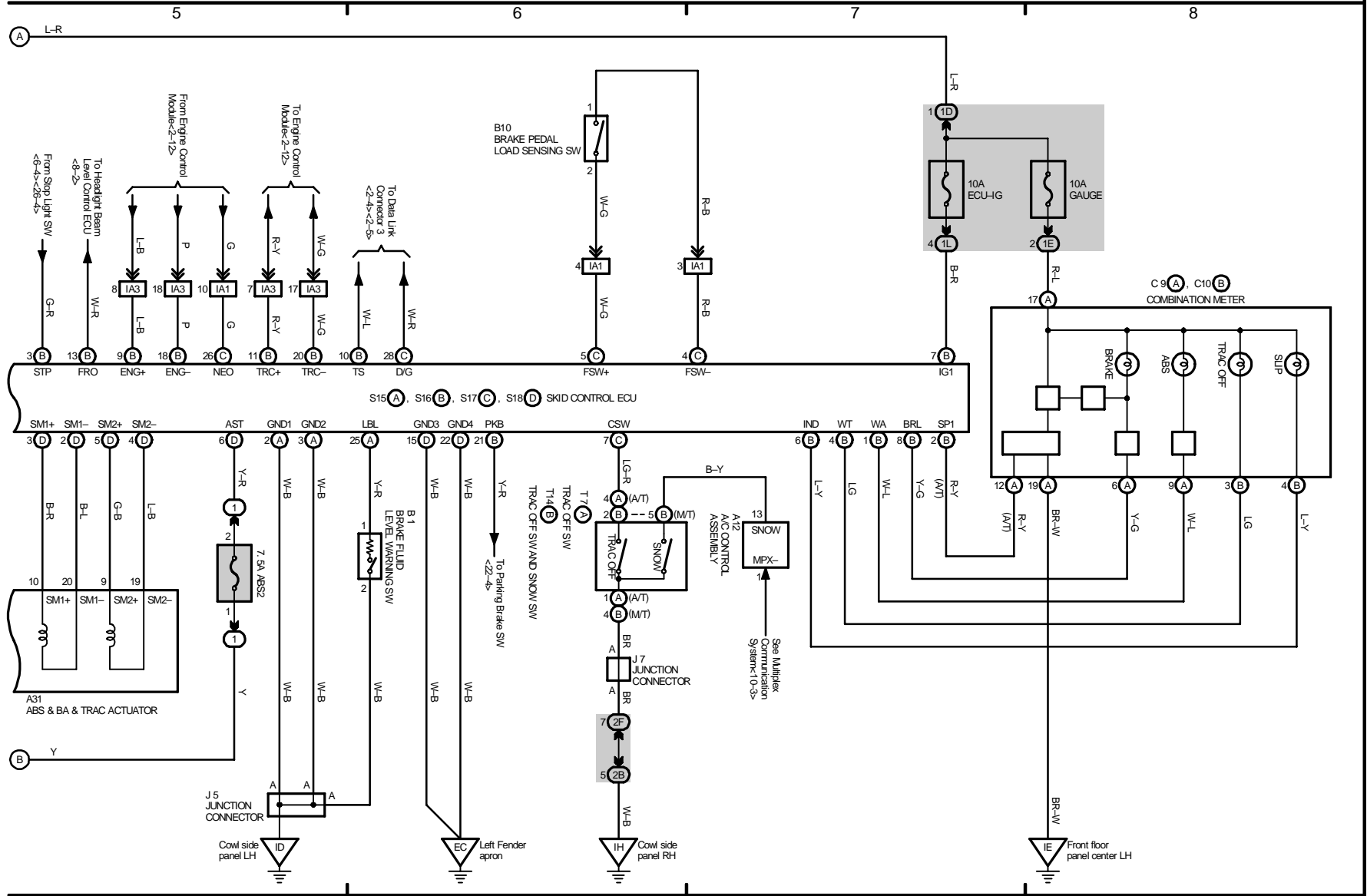




# M OVERALL ELECTRICAL WIRING DIAGRAM



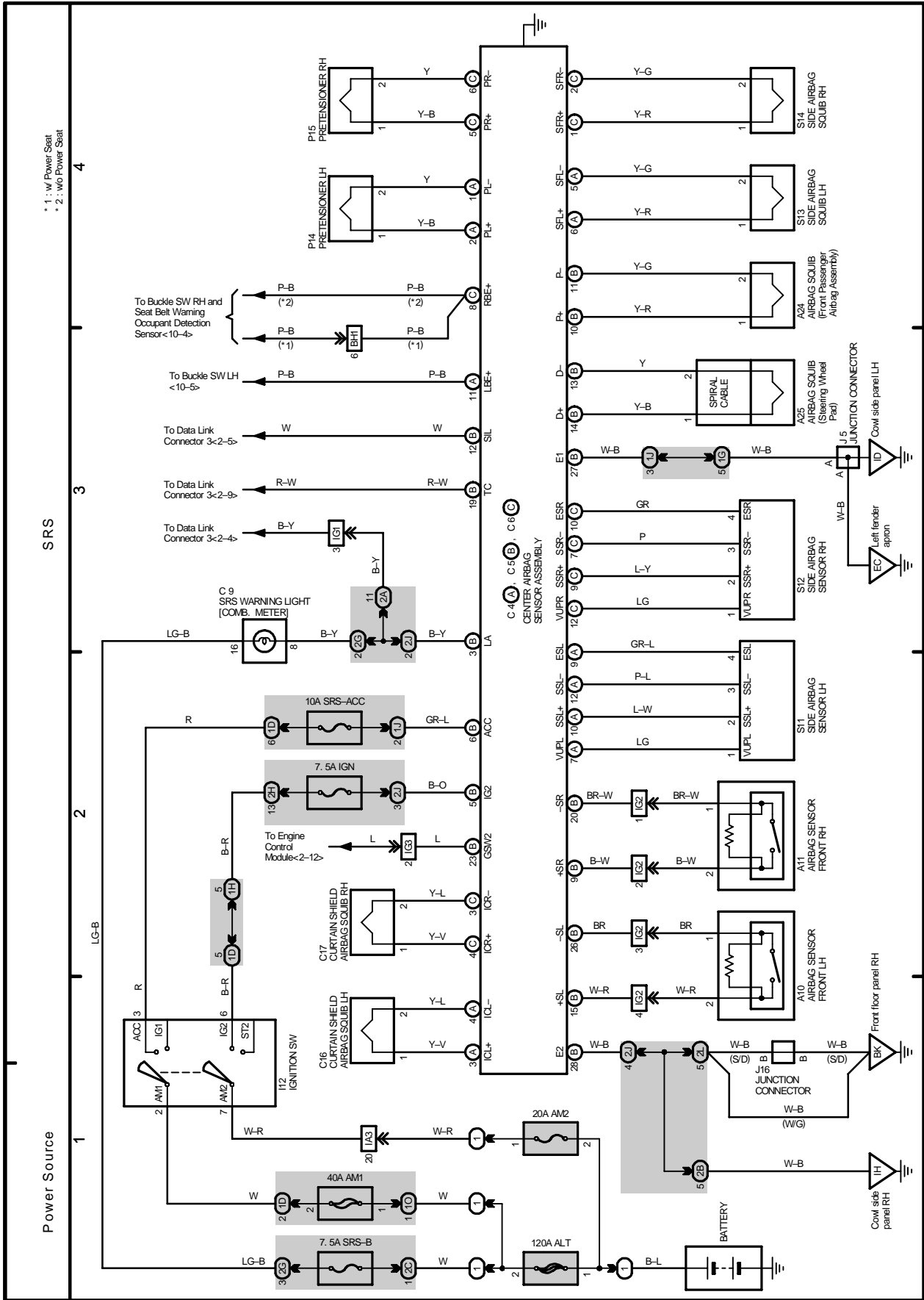
ABS and Traction Control

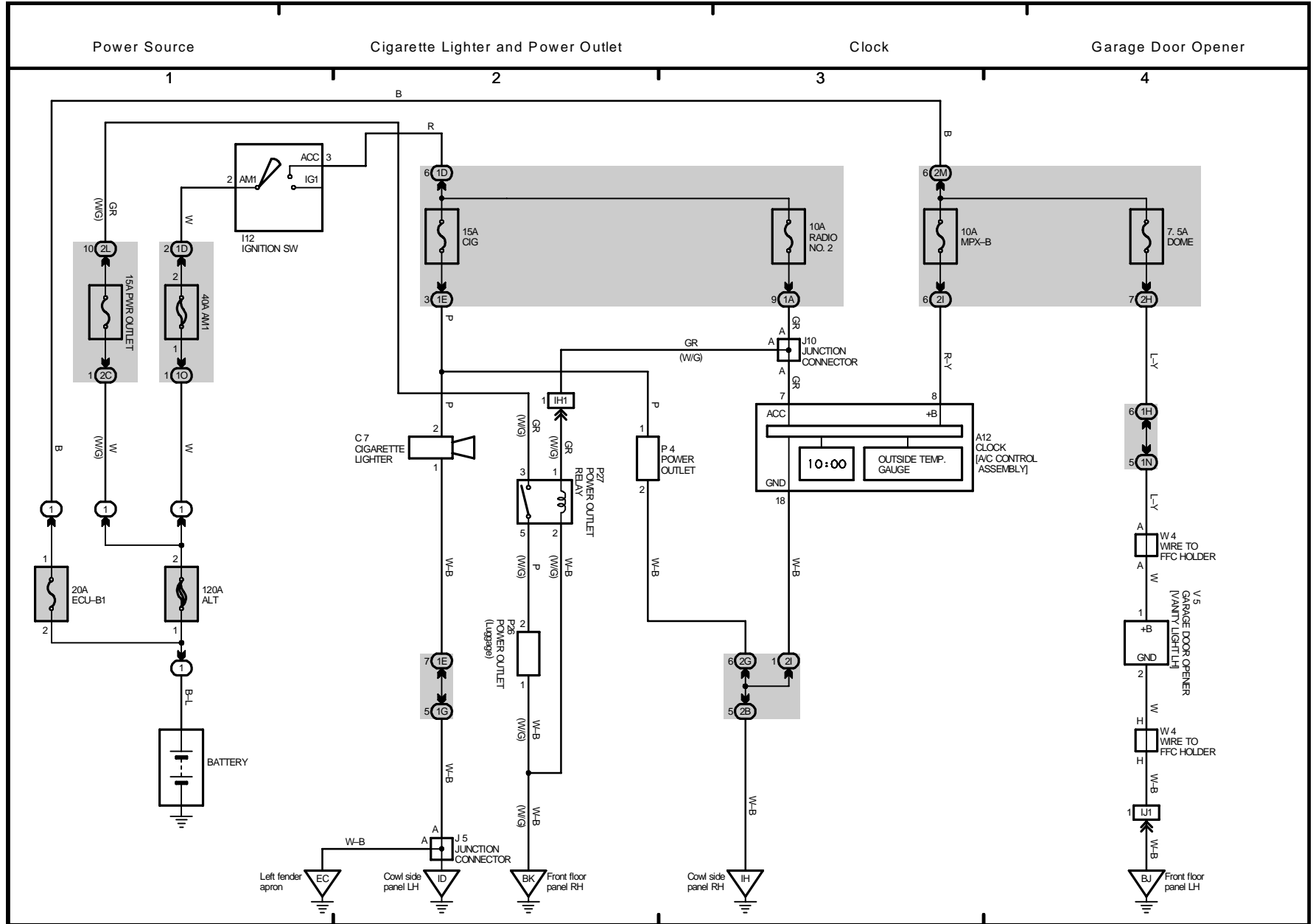


2002 LEXUS IS 300 (EWDA451U)

# M OVERALL ELECTRICAL WIRING DIAGRAM

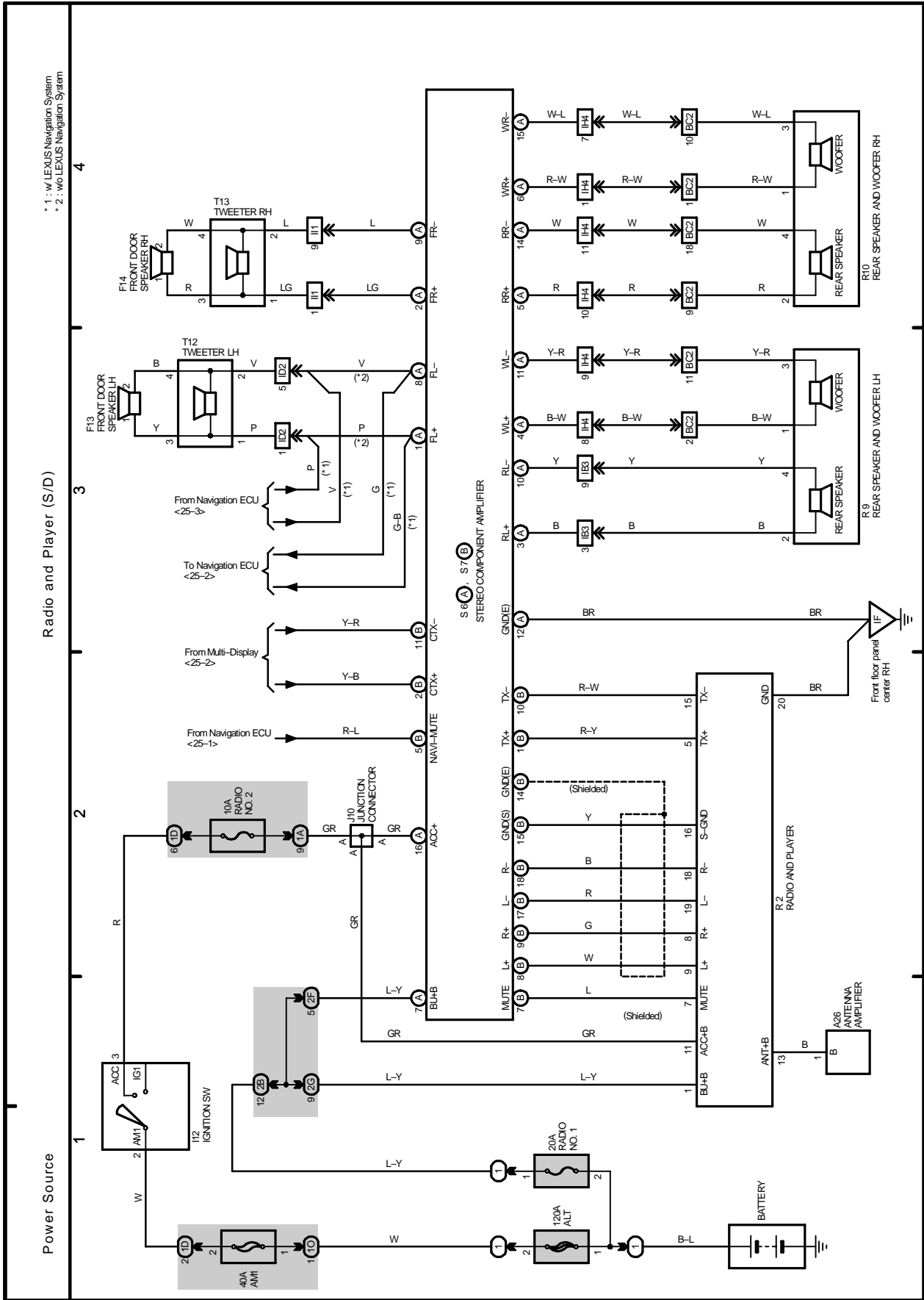
18 IS 300



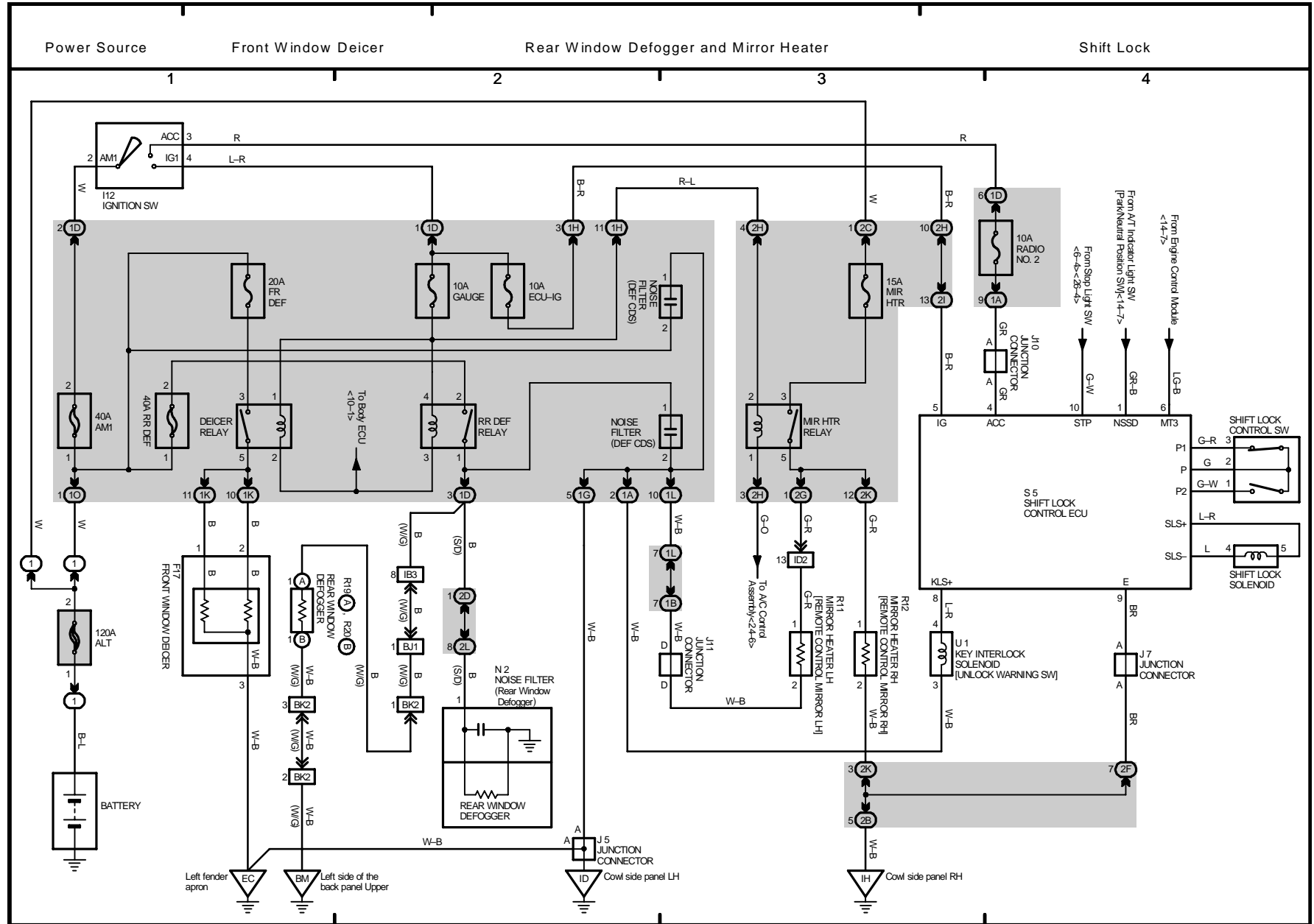


# M OVERALL ELECTRICAL WIRING DIAGRAM

20 IS 300



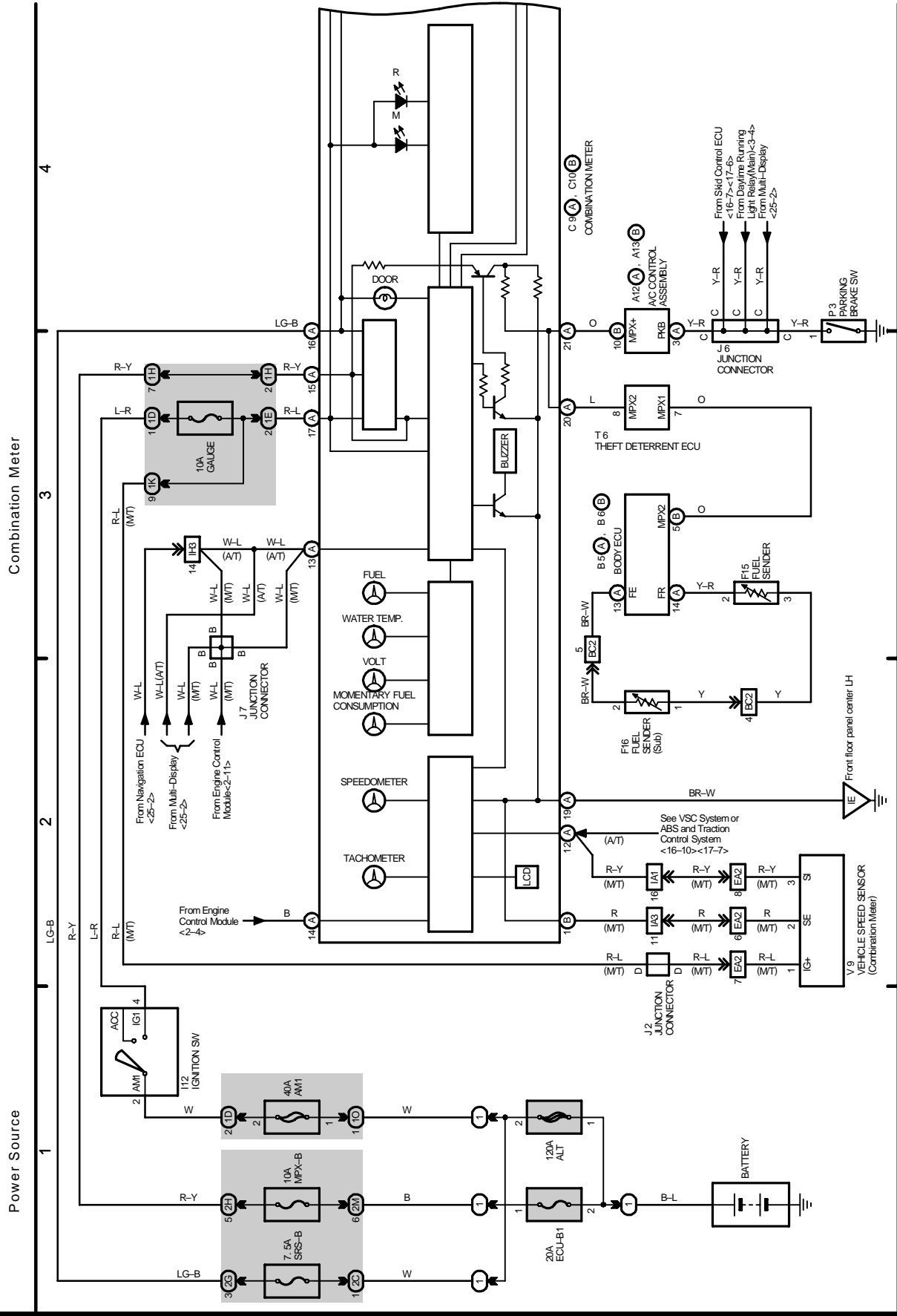


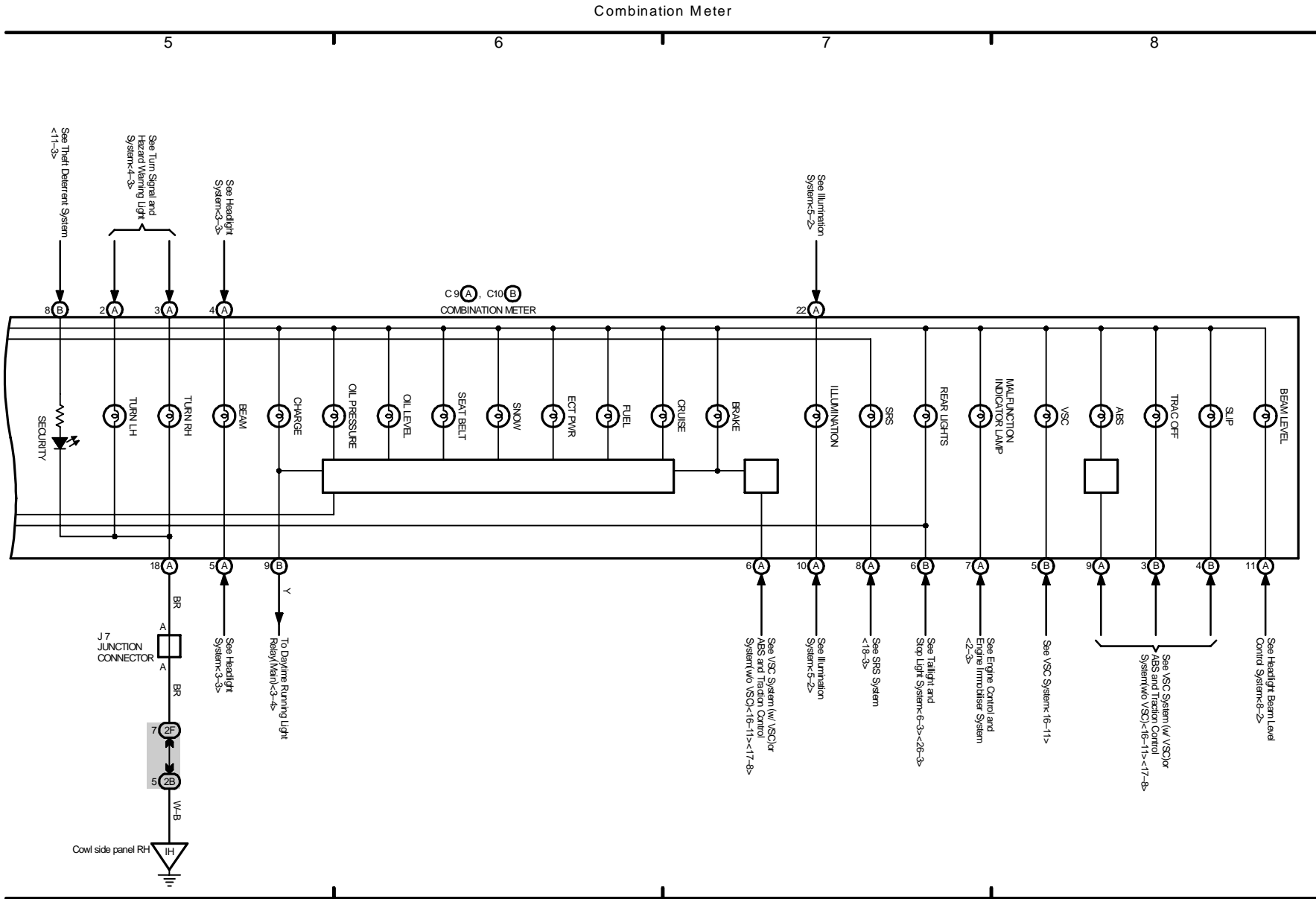


# M OVERALL ELECTRICAL WIRING DIAGRAM

(Cont. next page)

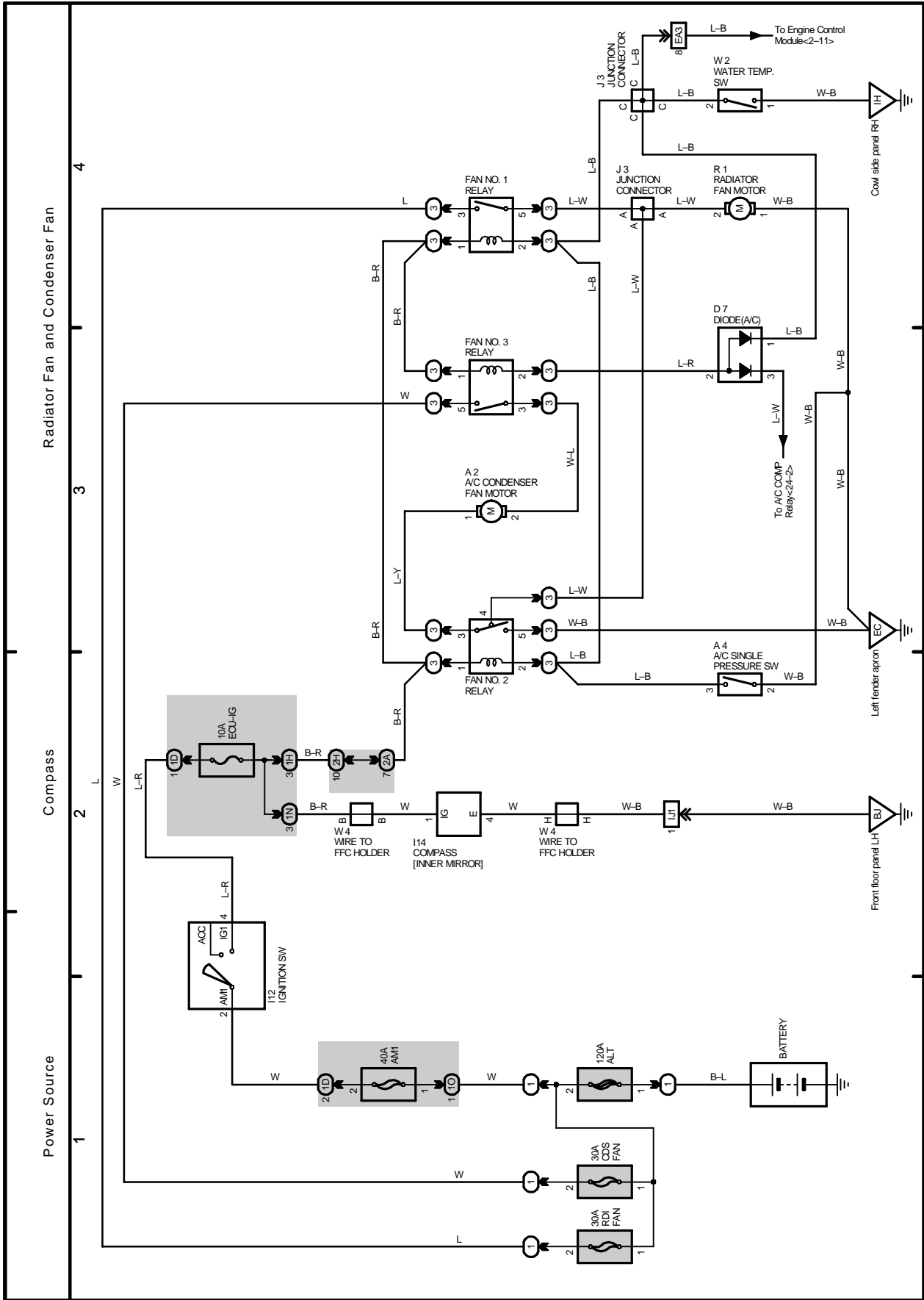
22 IS 300





# M OVERALL ELECTRICAL WIRING DIAGRAM

23 IS 300



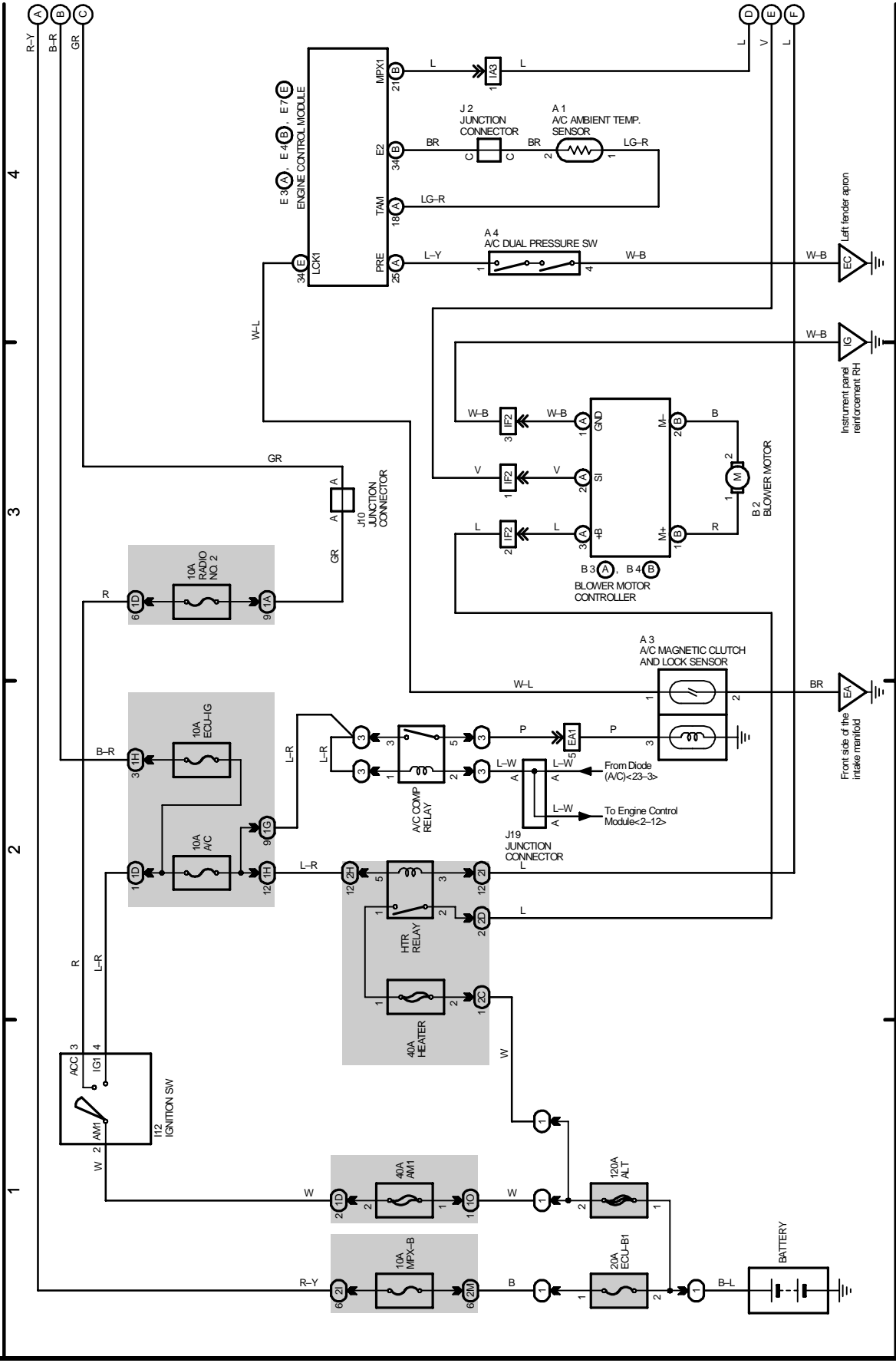


# M OVERALL ELECTRICAL WIRING DIAGRAM

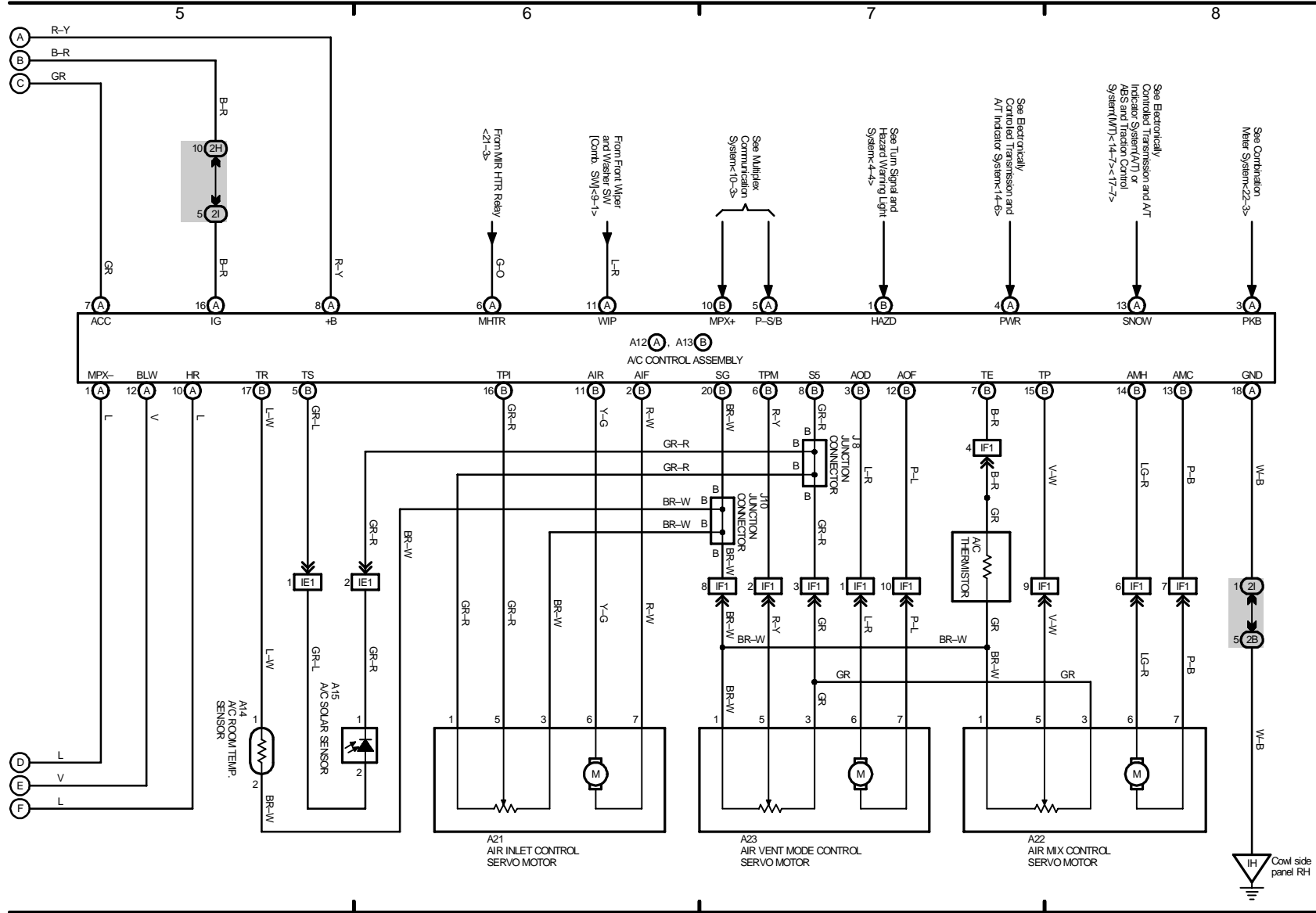
(Cont. next page)

24 IS 300

## Automatic Air Conditioning



Automatic Air Conditioning



# M OVERALL ELECTRICAL WIRING DIAGRAM

25 IS 300

